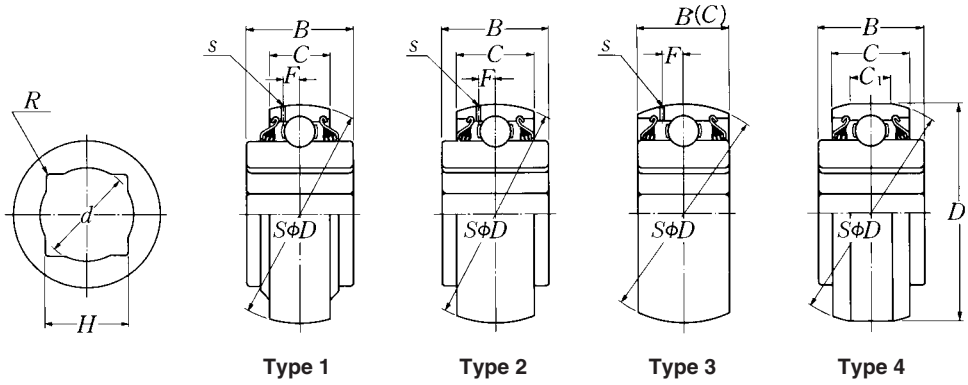


Ball bearing, square bore, spherical O.D.

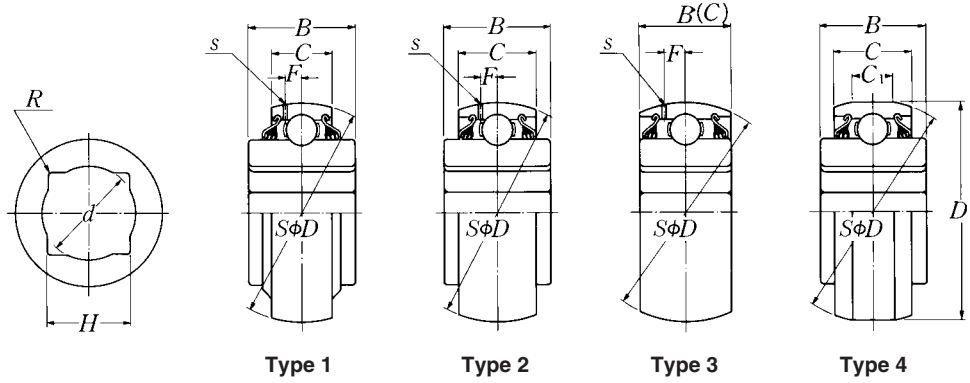


Shaft size inch	Bearing ¹⁾ number	Type	Nominal dimensions								
			H	d max.	R ²⁾ max.	mm	D inch	C	B		
7/8	1AS08-7/8	1	22.987 ± 0.127	24.4	2.25	80	0 -0.013	18	0 -0.12	36.5	0 -0.12
			0.9050 ± 0.0050	0.961	0.089	3.1496	0 -0.0005	0.7087	0 -0.0047	1.4370	0 -0.0047
7/8	4AS08-7/8	4	22.987 ± 0.127	24.4	2.25	87.338	0 -0.025	30.2	0 -0.12	36.5	0 -0.12
			0.9050 ± 0.0050	0.961	0.089	3.4385	0 -0.0010	1.1890	0 -0.0047	1.4370	0 -0.0047
1	1AS08-1	1	26.162 ± 0.127	27.8	2.25	80	0 -0.013	18	0 -0.12	36.5	0 -0.12
			1.0300 ± 0.0050	1.095	0.089	3.1496	0 -0.0005	0.7087	0 -0.0047	1.4370	0 -0.0047
1	2AS08-1D1	2	26.162 ± 0.127	27.8	2.25	80	0 -0.013	30.2	0 -0.12	36.5	0 -0.12
			1.0300 ± 0.0050	1.095	0.089	3.1496	0 -0.0005	1.1890	0 -0.0047	1.4370	0 -0.0047
1	4AS08-1	4	26.162 ± 0.127	27.8	2.25	87.338	0 -0.025	30.2	0 -0.12	36.5	0 -0.12
			1.0300 ± 0.0050	1.095	0.089	3.4385	0 -0.0010	1.1890	0 -0.0047	1.4370	0 -0.0047
1 1/8	1AS08-1 1/8	1	29.972 ± 0.127	31.4	2.25	80	0 -0.013	18	0 -0.12	36.5	0 -0.12
			1.1800 ± 0.0050	1.236	0.089	3.1496	0 -0.0005	0.7087	0 -0.0047	1.4370	0 -0.0047
1 1/8	2AS08-1 1/8 D1	2	29.972 ± 0.127	31.4	2.25	80	0 -0.013	30.2	0 -0.12	36.5	0 -0.12
			1.1800 ± 0.0050	1.236	0.089	3.1496	0 -0.0005	1.1890	0 -0.0047	1.4370	0 -0.0047

Remarks: 1) Bearings suffixed with D1 have oil holes on the outer ring.
 2) R min.: 0.059 inch except 3AS14-2D1 R min.: 0.126 inch.

Nominal dimensions					Basic load ratings		Factor	Mass
D_1	mm	inch	s	F	N dynamic C_r	lbf static C_{or}	f_0	kg lb
—	—	—	—	—	29 100	17 800	14.0	0.73
—	—	—	—	—	6 550	4 000		1.61
85.750	0 —0.025	16.6	—	—	29 100	17 800	14.0	0.93
3.3760	0 —0.0010	0.6535	—	—	6 550	4 000		2.05
—	—	—	—	—	29 100	17 800	14.0	0.68
—	—	—	—	—	6 550	4 000		1.50
—	—	—	2.2	6.6	29 100	17 800	14.0	0.76
—	—	—	0.087	0.260	6 550	4 000		1.68
85.750	0 —0.025	16.6	—	—	29 100	17 800	14.0	0.89
3.3760	0 —0.0010	0.6535	—	—	6 550	4 000		1.96
—	—	—	—	—	29 100	17 800	14.0	0.60
—	—	—	—	—	6 550	4 000		1.32
—	—	—	2.2	6.6	29 100	17 800	14.0	0.70
—	—	—	0.087	0.260	6 550	4 000		1.54

Ball bearing, square bore, spherical O.D.

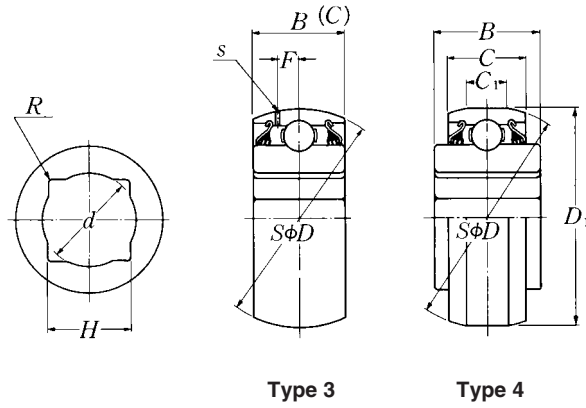


Shaft size inch	Bearing ¹⁾ number	Type	Nominal dimensions								
			H	d max.	R ²⁾ max.	mm D	inch D	C	B		
1 1/8	4AS08-1. 1/8	4	29.972 ± 0.127	31.4	2.25	87.338	0 -0.025	30.2	0 -0.12	36.5	0 -0.12
			1.1800 ± 0.0050	1.236	0.089	3.4385	0 -0.0010	1.1890	0 -0.0047	1.4370	0 -0.0047
1 5/32	1AS08-1. 5/32 D1	1	30 ± 0.127	31.8	2.25	80	0 -0.013	21	0 -0.12	36.5	0 -0.12
			1.1811 ± 0.0050	1.252	0.089	3.1496	0 -0.0005	0.8268	0 -0.0047	1.4370	0 -0.0047
1 1/4	2AS09-1. 1/4 D1	2	32.766 ± 0.127	34.8	2.25	85	0 -0.015	30.2	0 -0.120	36.5	0 -0.12
			1.2900 ± 0.0050	1.370	0.089	3.3465	0 -0.0006	1.1890	0 -0.0047	1.4370	0 -0.0047
1 1/4	4AS09-1. 1/4	4	32.766 ± 0.127	34.8	2.25	87.338	0 -0.025	30.2	0 -0.12	36.5	0 -0.12
			1.2900 ± 0.0050	1.370	0.089	3.4385	0 -0.0010	1.1890	0 -0.0047	1.4370	0 -0.0047
1 1/8	2AS10-1. 1/8 D1	2	29.972 ± 0.127	31.4	2.25	90	0 -0.015	30.2	0 -0.12	36.5	0 -0.12
			1.1800 ± 0.0050	1.236	0.089	3.5433	0 -0.0006	1.1890	0 -0.0047	1.4370	0 -0.0047
1 1/8	3AS10-1. 1/8 D1	3	29.972 ± 0.127	31.4	2.25	90	0 -0.015	30.2	0 -0.12	30.2	0 -0.12
			1.1800 ± 0.0050	1.236	0.089	3.5433	0 -0.0006	1.1890	0 -0.0047	1.1890	0 -0.0047
1 1/2	1AS11-1. 1/2 D1	1	38.89 ± 0.127	41.2	2.25	100	0 -0.015	25	0 -0.15	44.45	0 -0.15
			1.5311 ± 0.0050	1.622	0.089	3.9370	0 -0.0006	0.9843	0 -0.0059	1.7500	0 -0.0059

Remarks: 1) Bearings suffixed with D1 have oil holes on the outer ring.
 2) R min.: 0.059 inch except 3AS14-2D1 R min.: 0.126 inch.

Nominal dimensions					Basic load ratings		Factor	Mass
D_1	mm	inch	s	F	N dynamic C_r	lbf static C_{or}	f_0	kg lb
85.750	0 -0.025	16.6	—	—	29 100	17 800	14.0	0.90
3.3760	0 -0.0010	0.6535	—	—	6 550	4 000		1.99
—	—	—	2.2	6.6	29 100	17 800	14.0	0.64
—	—	—	0.087	0.260	6 550	4 000		1.41
—	—	—	2.2	6.7	32 500	20 400	14.1	0.77
—	—	—	0.087	0.264	7 350	4 600		1.70
85.750	0 -0.025	16.6	—	—	32 500	20 400	14.1	0.82
3.3760	0 -0.0010	0.6535	—	—	7 350	4 600		1.81
—	—	—	2.2	6.7	35 000	23 200	14.4	0.98
—	—	—	0.087	0.264	7 900	5 200		2.16
—	—	—	2.2	6.7	35 000	23 200	14.4	0.88
—	—	—	0.087	0.264	7 900	5 200		1.94
—	—	—	2.5	7.6	43 500	29 200	14.3	1.19
—	—	—	0.098	0.299	9 750	6 550		2.63

Ball bearing, square bore, spherical O.D.

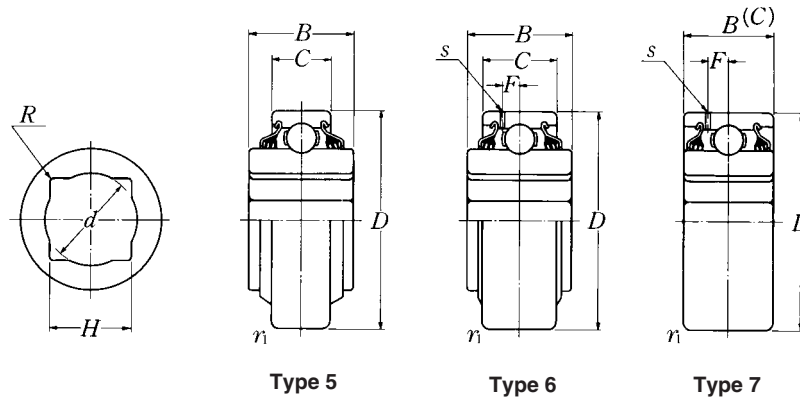


Shaft size inch	Bearing ¹⁾ number	Type	Nominal dimensions								
			<i>H</i>	<i>d</i> max.	<i>R</i> ²⁾ max.	mm	inch	<i>D</i>	<i>C</i>	<i>B</i>	
1½	3AS11-1.½D1	3	38.89 ± 0.127	41.2	2.25	100	0	33.3	0	33.3	0
							-0.015		-0.15		-0.15
1½	4AS11-1.½	4	1.5311 ± 0.0050	1.622	0.089	3.9370	0	1.3110	0	1.3110	0
							-0.0006		-0.0059		-0.0059
1½	4AS11-1.½	4	38.89 ± 0.127	41.2	2.25	104.725	0	36.5	0	44.45	0
							-0.025		-0.15		-0.15
1½	4AS11-1.½	4	1.5311 ± 0.0050	1.622	0.089	4.1230	0	1.4370	0	1.7500	0
							-0.0010		-0.0059		-0.0059
2	3AS14-2D1	3	52.2 ± 0.127	54.9	4.0	125	0	39.69	0	39.69	0
							-0.020		-0.15		-0.15
2	3AS14-2D1	3	2.0551 ± 0.0050	2.161	0.157	4.9213	0	1.5626	0	1.5626	0
							-0.0008		-0.0059		-0.0059

Remarks: 1) Bearings suffixed with D1 have oil holes on the outer ring.
 2) *R* min.: 0.059 inch except 3AS14-2D1 *R* min.: 0.126 inch.

Nominal dimensions					Basic load ratings		Factor	Mass
D_1	mm	inch	s	F	N dynamic C_r	lbf static C_{or}	f_0	kg lb
—	—	—	2.5	7.6	43 500	29 200	14.3	1.10
—	—	—	0.098	0.299	9 750	6 550		2.43
103.556	⁰ —0.025	15.9	—	—	43 500	29 200	14.3	1.48
4.0770	⁰ —0.0010	0.6142	—	—	9 750	6 550		3.26
—	—	0.6260	3.0	9.4	62 000	44 000	14.5	1.90
—	—	—	0.118	0.370	14 000	9 900		4.19

Ball bearing, square bore, cylindrical O.D.

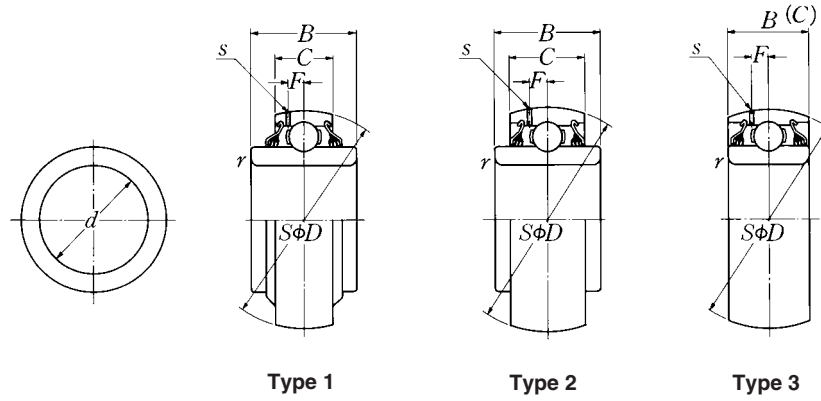


Shaft dia. inch	Bearing ¹⁾ number	Type	Nominal dimensions								
			<i>H</i>	<i>d</i> max.	<i>R</i> ²⁾ max.	mm	inch	<i>D</i>	<i>C</i>	<i>B</i>	
1	5AS08-1	5	26.162 ± 0.127	27.8	2.25	80	0 -0.013	18	0 -0.12	36.5	0 -0.12
			1.0300 ± 0.0050	1.095	0.089	3.1496	0 -0.0005	0.7087	0 -0.0047	1.4370	0 -0.0047
1	6AS08-1D1	6	26.162 ± 0.127	27.8	2.25	80	0 -0.013	30.2	0 -0.12	36.5	0 -0.12
			1.0300 ± 0.0050	1.095	0.089	3.1496	0 -0.0005	1.1890	0 -0.0047	1.4370	0 -0.0047
1 1/8	5AS08-1. 1/8	5	29.972 ± 0.127	31.4	2.25	80	0 -0.013	18	0 -0.12	36.5	0 -0.12
			1.1800 ± 0.0050	1.236	0.089	3.1496	0 -0.0005	0.7087	0 -0.0047	1.4370	0 -0.0047
1 1/8	6AS08-1. 1/8D1	6	29.972 ± 0.127	31.4	2.25	80	0 -0.013	30.2	0 -0.12	36.5	0 -0.12
			1.1800 ± 0.0050	1.236	0.089	3.1496	0 -0.0005	1.1890	0 -0.0047	1.4370	0 -0.0047
1 1/8	7AS10-1. 1/8D1	7	29.972 ± 0.127	31.4	2.25	90	0 -0.015	30.2	0 -0.12	30.2	0 -0.12
			1.1800 ± 0.0050	1.236	0.089	3.5433	0 -0.0006	1.1890	0 -0.0047	1.1890	0 -0.0047
1 1/2	7AS11-1. 1/2D1	7	38.89 ± 0.127	41.2	2.25	100	0 -0.015	33.3	0 -0.15	33.3	0 -0.15
			1.5311 ± 0.0050	1.622	0.089	3.9370	0 -0.0006	1.3110	0 -0.0059	1.3110	0 -0.0059

Remarks: 1) Bearings suffixed with D1 have oil holes on the outer ring.
2) *R* min.: 0.059 inch.

Nominal dimensions			Basic load ratings		Factor	Mass
mm	inch		N	lbf		kg lb
r_{1s}	s	F	dynamic	static	f_0	
min.			C_r	C_{or}		
0.6	—	—	29 100	17 800	14.0	0.66
0.024	—	—	6 550	4 000		1.46
1.5	2.2	6.6	29 100	17 800	14.0	0.78
0.059	0.087	0.260	6 550	4 000		1.72
0.6	—	—	29 100	17 800	14.0	0.61
0.024	—	—	6 550	4 000		1.35
1.5	2.2	6.6	29 100	17 800	14.0	0.73
0.059	0.087	0.260	6 550	4 000		1.61
1.5	2.2	6.7	35 000	23 200	14.4	0.90
0.059	0.087	0.264	7 900	5 200		1.99
2	2.5	7.6	43 500	29 200	14.3	1.12
0.079	0.098	0.299	9 750	6 550		2.47

Ball bearing, round bore, spherical O.D.

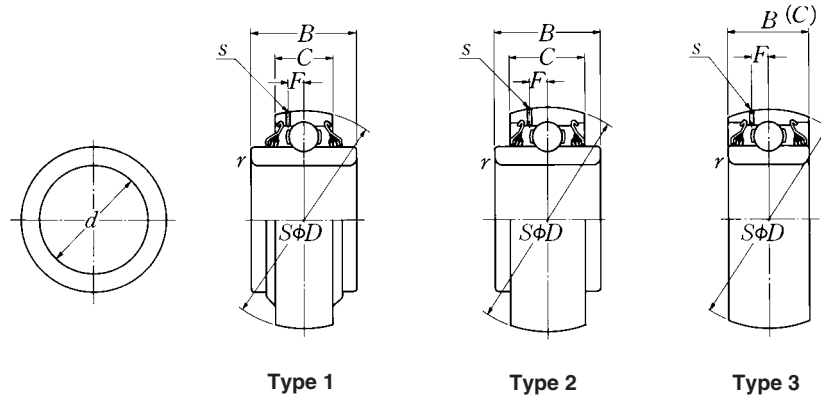


Shaft dia. inch	Bearing ¹⁾ number	Type	Nominal dimensions							
			d	D	mm	inch	C	B		
1 3/16	1AC08-1. 3/16	1	30.175	80	0	18	0	30.2	0	
			-0.013	-0.013	-0.12	-0.12	1.1880	3.1496	0.7087	1.1890
			0	0	0	0	0	0	0	
			-0.0005	-0.0005	-0.0047	-0.0047	-0.0047	-0.0047	-0.0047	
1.7717	3AC09D1	3	45	85	0	30.2	0	30.2	0	
			-0.013	-0.015	-0.12	-0.12	1.7717	3.3465	1.1890	1.1890
			0	0	0	0	0	0	0	
			-0.0005	-0.0006	-0.0047	-0.0047	-0.0047	-0.0047	-0.0047	
1 1/2	3AC09-1. 1/2D1	3	38.989	85	0	30.2	0	30.2	0	
			-0.254	-0.015	-0.12	-0.12	1.5350	3.3465	1.1890	1.1890
			0	0	0	0	0	0	0	
			-0.0100	-0.0006	-0.0047	-0.0047	-0.0047	-0.0047	-0.0047	
1 3/4	3AC10-1. 3/4D1	3	45.339	90	0	30.2	0	30.2	0	
			-0.254	-0.015	-0.12	-0.12	1.7850	3.5433	1.1890	1.1890
			0	0	0	0	0	0	0	
			-0.0100	-0.0006	-0.0047	-0.0047	-0.0047	-0.0047	-0.0047	
1 15/16	3AC10-1. 15/16D1	3	49.225	90	0	30.2	0	30.2	0	
			-0.013	-0.015	-0.12	-0.12	1.9380	3.5433	1.1890	1.1890
			0	0	0	0	0	0	0	
			-0.0005	-0.0006	-0.0047	-0.0047	-0.0047	-0.0047	-0.0047	
2 3/16	3AC11-2. 3/16D1	3	55.575	100	0	33.3	0	33.3	0	
			-0.015	-0.015	-0.15	-0.15	2.1880	3.9370	1.3110	1.3110
			0	0	0	0	0	0	0	
			-0.0006	-0.0006	-0.0059	-0.0059	-0.0059	-0.0059	-0.0059	

Remarks: 1) Bearings suffixed with D1 have oil holes on the outer ring.

Nominal dimensions			Basic load ratings		Factor	Mass
mm	inch		N	lbf		kg lb
r_{1s}	s	F	dynamic	static	f_0	
min.			C_r	C_{or}		
1.5	—	—	29 100	17 800	14.0	0.61
0.059	—	—	6 550	4 000		1.35
1.5	2.2	6.7	32 500	20 400	14.1	0.59
0.059	0.087	0.264	7 350	4 600		1.30
1.5	2.2	6.7	32 500	20 400	14.1	0.68
0.059	0.087	0.264	7 350	4 600		1.50
1.5	2.2	6.7	35 000	23 200	14.4	0.70
0.059	0.087	0.264	7 900	5 200		1.54
1.5	2.2	6.7	35 000	23 200	14.4	0.65
0.059	0.087	0.264	7 900	5 200		1.43
2	2.5	7.6	43 500	29 200	14.3	0.87
0.079	0.098	0.299	9 750	6 550		1.92

Ball bearing, round bore, spherical O.D.

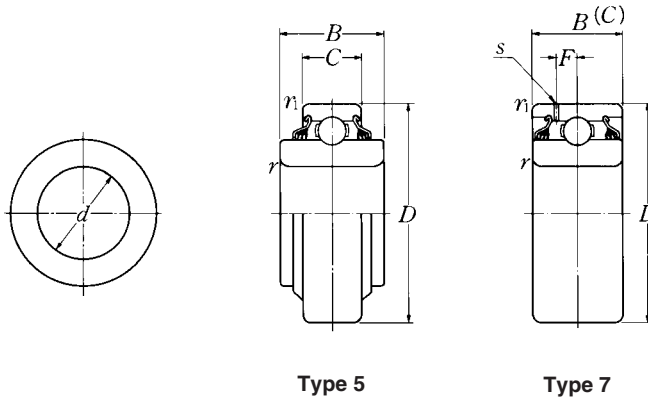


Shaft dia. inch	Bearing ¹⁾ number	Type	Nominal dimensions							
			<i>d</i>		<i>D</i>		<i>C</i>		<i>B</i>	
			mm		inch					
2.7559	3AC14D1	3	70	0	125	0	39.69	0	39.69	0
				-0.015		-0.020		-0.15		-0.15
			2.7559	0	4.9213	0	1.5626	0	1.5626	0
				-0.0006		-0.0008		-0.0059		-0.0059
1 ¹⁵ / ₁₆	3AC14-1. ¹⁵ / ₁₆ D1	3	49.225	0	125	0	39.69	0	39.69	0
				-0.015		-0.020		-0.15		-0.15
			1.9380	0	4.9213	0	1.5626	0	1.5626	0
				-0.0006		-0.0008		-0.0059		-0.0059

Remarks: 1) Bearings suffixed with D1 have oil holes on the outer ring.

Nominal dimensions			Basic load ratings		Factor	Mass
r_{1s} min.	mm <i>s</i>	inch <i>F</i>	N dynamic C_r	lbf static C_{or}	f_0	kg lb
2	3.0	9.4	62 000	44 000	14.5	1.56
0.079	0.118	0.370	14 000	9 900		3.44
2	3.0	9.4	62 000	4 4000	14.5	2.20
0.079	0.118	0.370	14 000	9 900		4.85

Ball bearing, round bore, cylindrical O.D.

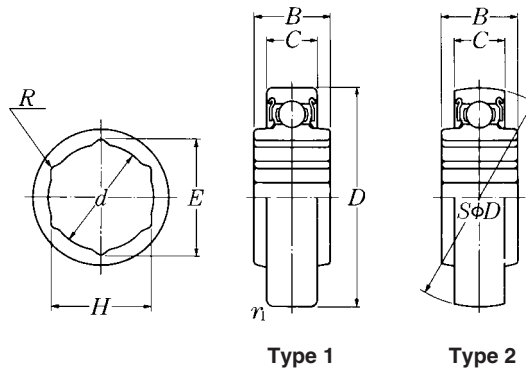


Shaft dia. inch	Bearing ¹⁾ number	Type	Nominal dimensions							
			<i>d</i>		<i>D</i>		<i>C</i>		<i>B</i>	
			mm		inch					
1.1811	5AC06	5	30	0	62	0	16	0	25.4	0
				-0.010		-0.013		-0.12		-0.12
			1.1811	0	2.4409	0	0.6299	0	1.0000	0
				-0.0004		-0.0005		-0.0047		-0.0047
1 ¹⁵ / ₁₆	5AC10-1. ¹⁵ / ₁₆	5	49.225	0	90	0	20	0	49.2	0
				-0.013		-0.015		-0.12		-0.12
			1.9380	0	3.5433	0	0.7874	0	1.9370	0
				-0.0005		-0.0006		-0.0047		-0.0047
1 ¹³ / ₃₂	7AC10-1. ¹³ / ₃₂ D1	7	35.725	0	90	0	30.2	0	30.2	0
				-0.013		-0.015		-0.12		-0.12
			1.4065	0	3.5433	0	1.1890	0	1.1890	0
				-0.0005		-0.0006		-0.0047		-0.0047
1 ¹⁵ / ₁₆	7AC10-1. ¹⁵ / ₁₆ D1	7	49.225	0	90	0	30.2	0	30.2	0
				-0.013		-0.015		-0.12		-0.12
			1.9380	0	3.5433	0	1.1890	0	1.1890	0
				-0.0005		-0.0006		-0.0047		-0.0047
2 ³ / ₁₆	7AC11-2. ³ / ₁₆ D1	7	55.575	0	100	0	33.3	0	33.3	0
				-0.015		-0.015		-0.15		-0.15
			2.1880	0	3.9370	0	1.3110	0	1.3110	0
				-0.0006		-0.0006		-0.0059		-0.0059

Remarks: 1) Bearings suffixed with D1 have oil holes on the outer ring.

Nominal dimensions				Basic load ratings		Factor	Mass
r_s min.	mm r_{1s} min.	inch s	F	N dynamic C_r	lbf static C_{or}	f_0	kg lb
1	0.6	—	—	19 500	11 300	13.8	0.21
0.039	0.024	—	—	4 400	2 540		0.46
1.5	1.5	—	—	35 000	23 200	14.4	0.74
0.059	0.059	—	—	7 900	5 200		1.63
1.5	1.5	2.2	6.7	35 000	23 200	14.4	0.88
0.059	0.059	0.087	0.264	7 900	5 200		1.94
1.5	1.5	2.2	6.7	35 000	23 200	14.4	0.68
0.059	0.059	0.087	0.264	7 900	5 200		1.50
2	2	2.5	7.6	43 500	29 200	14.3	0.91
0.079	0.079	0.098	0.299	9 750	6 550		2.01

Ball bearing, hex-bore

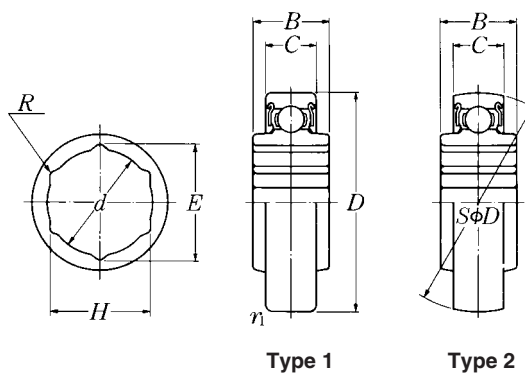


Shaft size inch	Bearing ¹⁾ number	Type	Nominal dimensions								
			H	d max.	R max.	mm E min.	inch	D	C		
9/16	1AH03-9/16	1	14.3	+0.127 0	14.7	0.25	16.435	40	0	12	0
			0.5630	+0.0050 0	0.579	0.010	0.6470	1.5748	0	-0.011	0
1 1/16	1AH04-1 1/16	1	17.653	+0.127 0	18.1	0.25	20.307	47	0	14	0
			0.6950	+0.0050 0	0.713	0.010	0.7995	1.8504	0	-0.011	0
7/8	1AH05-7/8	1	22.250	+0.127 0	22.8	0.25	25.615	52	0	15	0
			0.8760	+0.0050 0	0.898	0.010	1.0085	2.0472	0	-0.013	0
1	1AH06-1	1	25.425	+0.127 0	26.1	0.25	29.281	62	0	16	0
			1.0010	+0.0050 0	1.028	0.010	1.1528	2.4409	0	-0.013	0
7/8	2AH05-7/8	2	22.25	+0.127 0	22.8	0.25	25.615	52	0	15	0
			0.8760	+0.0050 0	0.898	0.010	1.0085	2.0472	0	-0.013	0
1	2AH06-1	2	25.425	+0.127 0	26.1	0.25	29.281	62	0	16	0
			1.0010	+0.0050 0	1.028	0.010	1.1528	2.4409	0	-0.013	0
1 1/8	2AH07-1 1/8	2	28.6	+0.127 0	29.3	0.25	32.947	72	0	17	0
			1.1260	+0.0050 0	1.154	0.010	1.2971	2.8346	0	-0.013	0

Remarks: 1) Bearings suffixed with D1 have oil holes on the outer ring.

Nominal dimensions			Basic load ratings		Factor	Mass
mm <i>B</i>	inch <i>r</i> _{1s} min.		N dynamic <i>C</i> _r	lbf static <i>C</i> _{0r}	<i>f</i> ₀	kg lb
20.3	0 -0.12	0.6	9 600	4 600	12.8	0.08
0.7992	0 -0.0047	0.024	2 160	1 030		0.18
21	0 -0.12	0.6	12 800	6 650	13.2	0.13
0.8268	0 -0.0047	0.024	2 890	1 500		0.29
25.4	0 -0.12	0.6	14 000	7 850	13.9	0.16
1.0000	0 -0.0047	0.024	3 150	1 770		0.35
24	0 -0.12	0.6	19 500	11 300	13.8	0.24
0.9449	0 -0.0047	0.024	4 400	2 540		0.53
25.4	0 -0.12	—	14 000	7 850	13.9	0.16
1.0000	0 -0.0047	—	3 150	1 770		0.35
24	0 -0.12	—	19 500	11 300	13.8	0.24
0.9449	0 -0.0047	—	4 400	2 540		0.53
37.7	0 -0.12	—	25 700	15 300	13.8	0.45
1.4843	0 -0.0047	—	5 750	3 450		0.99

Ball bearing, hex-bore



Shaft size inch	Bearing ¹⁾ number	Type	Nominal dimensions							
			H	d max.	R max.	E min.	D	C		
1½	2AH09-1.½	2	38.125	39	0.25	43.946	85	0	19	0
			+0.127 0					-0.015	-0.12	
			1.5010	1.535	0.010	1.7302	3.3465	0	0.7480	0
			+0.0050 0					-0.0006	-0.0047	

Remarks: 1) Bearings suffixed with D1 have oil holes on the outer ring.

Nominal dimensions			Basic load ratings		Factor	Mass
mm	inch	r_{1s} min.	N dynamic C_r	lbf static C_{or}	f_0	kg lb
30	0 -0.12	—	32 500	20 400	14.1	0.54
1.1811	0 -0.0047	—	7 350	4 600		1.19