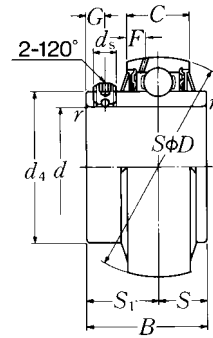


Ball bearings
Set screw type

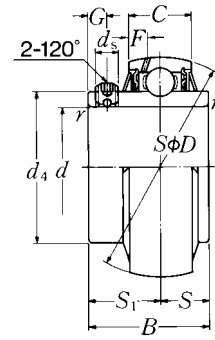


Shaft dia.	Bearing number	Nominal dimensions										
		<i>d</i>	<i>D</i>	<i>B</i>	<i>C</i>	<i>r_s</i> mm min.	<i>S</i>	inch <i>S₁</i>	<i>G</i>	<i>ds</i>	<i>d₄</i>	<i>F</i>
12 1/2	UC201D1 UC201-008D1	12 0.5000	47 1.8504	31 1.2205	17 0.6693	0.6 0.024	12.7 0.500	18.3 0.720	4.5 0.177	M5 × 0.8 No.10-32UNF	29.6 1.1654	4.7 0.185
15 9/16 5/8	UC202D1 UC202-009D1 UC202-010D1	15 0.5625 0.6250	47 1.8504	31 1.2205	17 0.6693	0.6 0.024	12.7 0.500	18.3 0.720	4.5 0.177	M5 × 0.8 No.10-32UNF	29.6 1.1654	4.7 0.185
17 11/16	UC203D1 UC203-011D1	17 0.6875	47 1.8504	31 1.2205	17 0.6693	0.6 0.024	12.7 0.500	18.3 0.720	4.5 0.177	M5 × 0.8 No.10-32UNF	29.6 1.1654	4.7 0.185
20 3/4	UC204D1 UC204-012D1	20 0.7500	47 1.8504	31 1.2205	17 0.6693	1 0.039	12.7 0.500	18.3 0.720	4.5 0.177	M5 × 0.8 No.10-32UNF	29.6 1.1654	4.7 0.185
25 13/16 7/8 15/16 1	UC205D1 UC205-013D1 UC205-014D1 UC205-015D1 UC205-100D1	25 0.8125 0.8750 0.9375 1.0000	52 2.0472	34.1 1.3425	17 0.6693	1 0.039	14.3 0.563	19.8 0.780	5 0.197	M5 × 0.8 No.10-32UNF	33.9 1.3346	4.5 0.177
30 1 1/16 1 1/8 1 3/16 1 1/4	UC206D1 UC206-101D1 UC206-102D1 UC206-103D1 UC206-104D1	30 1.0625 1.1250 1.1875 1.2500	62 2.4409	38.1 1.5000	19 0.7480	1 0.039	15.9 0.626	22.2 0.874	5 0.197	M6 × 0.75 1/4-28UNF	40.8 1.6063	4.6 0.181
35 1 1/4 1 5/16 1 3/8 1 7/16	UC207D1 UC207-104D1 UC207-105D1 UC207-106D1 UC207-107D1	35 1.2500 1.3125 1.3750 1.4375	72 2.8346	42.9 1.6890	20 0.7874	1.5 0.059	17.5 0.689	25.4 1.000	6 0.236	M6 × 0.75 1/4-28UNF	46.8 1.8425	4.6 0.181
40 1 1/2 1 9/16	UC208D1 UC208-108D1 UC208-109D1	40 1.5000 1.5625	80 3.1496	49.2 1.9370	21 0.8268	1.5 0.059	19 0.748	30.2 1.189	8 0.315	M8 × 1 5/16-24UNF	53 2.0866	4.5 0.177
45 1 5/8 1 11/16 1 3/4	UC209D1 UC209-110D1 UC209-111D1 UC209-112D1	45 1.6250 1.6875 1.7500	85 3.3465	49.2 1.9370	22 0.8661	1.5 0.059	19 0.748	30.2 1.189	8 0.315	M8 × 1 5/16-24UNF	57.5 2.2638	4.9 0.193

Remarks: 1) For inch series bearings, the f_0 factor for calculating equivalent radial load is the same as the metric series.

Basic load ratings		Factor ¹⁾	Mass	
N dynamic C_r	lbf static C_{or}		kg	lb
12 800	6 650	13.2	0.21	
2 890	1 500		0.46	
12 800	6 650	13.2	0.20	
2 890	1 500		0.44	0.42
12 800	6 650	13.2	0.18	
2 890	1 500		0.39	
12 800	6 650	13.2	0.17	
2 890	1 500		0.39	
14 000	7 850	13.9	0.20	
3 150	1 770		0.53	0.51
			0.46	0.44
19 500	11 300	13.8	0.32	
4 400	2 540		0.82	0.77
			0.73	0.66
25 700	15 300	13.8	0.46	
5 750	3 450		1.21	1.15
			1.08	1.01
29 100	17 800	14.0	0.64	
6 550	4 000		1.52	1.46
32 500	20 400	14.1	0.68	
7 350	4 600		1.76	1.68
			1.57	

Ball bearings
Set screw type

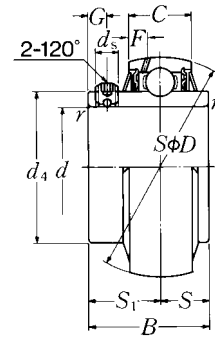


Shaft dia.	Bearing number	Nominal dimensions										
		<i>d</i>	<i>D</i>	<i>B</i>	<i>C</i>	<i>r_s</i> mm min.	<i>S</i>	inch <i>S₁</i>	<i>G</i>	<i>d_s</i>	<i>d₄</i>	<i>F</i>
50	UC210D1	50	90	51.6	24	1.5	19	32.6	9	M8 × 1	62.4	5.9
1¹³/₁₆	UC210-113D1	1.8125										
1⁷/₈	UC210-114D1	1.8750	3.5433	2.0315	0.9449	0.059	0.748	1.283	0.354	5/16-24UNF	2.4567	0.232
1¹⁵/₁₆	UC210-115D1	1.9375										
2	UC210-200D1	2.0000										
55	UC211D1	55	100	55.6	25	2	22.2	33.4	9	M8 × 1	69	6.0
2	UC211-200D1	2.0000										
2¹/₁₆	UC211-201D1	2.0625	3.9370	2.1890	0.9843	0.079	0.874	1.315	0.354	5/16-24UNF	2.7165	0.236
2¹/₈	UC211-202D1	2.1250										
2³/₁₆	UC211-203D1	2.1875										
60	UC212D1	60	110	65.1	27	2	25.4	39.7	10	M10 × 1.25	77	6.2
2¹/₄	UC212-204D1	2.2500										
2⁵/₁₆	UC212-205D1	2.3125	4.3307	2.5630	1.0630	0.079	1.000	1.563	0.394	3/8-24UNF	3.0315	0.244
2³/₈	UC212-206D1	2.3750										
2⁷/₁₆	UC212-207D1	2.4375										
65	UC213D1	65	120	65.1	32	2	25.4	39.7	10	M10 × 1.25	82.5	8.7
2¹/₂	UC213-208D1	2.5000	4.7244	2.5630	1.2598	0.079	1.000	1.563	0.394	3/8-24UNF	3.2480	0.343
2⁹/₁₆	UC213-209D1	2.5625										
70	UC214D1	70	125	74.6	33	2	30.2	44.4	12	M10 × 1.25	87	8.8
2⁵/₈	UC214-210D1	2.6250										
2¹¹/₁₆	UC214-211D1	2.6875	4.9213	2.9370	1.2992	0.079	1.189	1.748	0.472	3/8-24UNF	3.4252	0.346
2³/₄	UC214-212D1	2.7500										
75	UC215D1	75	130	77.8	34	2	33.3	44.5	12	M10 × 1.25	93	9.0
2¹³/₁₆	UC215-213D1	2.8125										
2⁷/₈	UC215-214D1	2.8750	5.1181	3.0630	1.3386	0.079	1.311	1.752	0.472	3/8-24UNF	3.6614	0.354
2¹⁵/₁₆	UC215-215D1	2.9375										
3	UC215-300D1	3.0000										
80	UC216D1	80	140	82.6	35	2.5	33.3	49.3	12	M10 × 1.25	98.1	9.5
3¹/₁₆	UC216-301D1	3.0625										
3¹/₈	UC216-302D1	3.1250	5.5118	3.2520	1.3780	0.098	1.311	1.941	0.472	3/8-24UNF	3.8622	0.374
3³/₁₆	UC216-303D1	3.1875										

Remarks: 1) For inch series bearings, the f_0 factor for calculating equivalent radial load is the same as the metric series.

Basic load ratings		Factor ¹⁾ f_0	Mass	
N dynamic C_r	lbf static C_{or}		kg	lb
35 000	23 200	14.4	0.78	2.03
7 900	5 200		1.92	1.81
			1.69	
43 500	29 200	14.3	1.04	2.71
9 750	6 550		2.60	2.46
			2.34	
52 500	36 000	14.3	1.46	3.66
11 800	8 150		3.50	3.33
			3.17	
57 500	40 000	14.4	1.86	4.26
12 900	9 000		4.09	
62 000	44 000	14.5	2.10	5.09
14 000	9 900		4.87	4.65
66 000	49 500	14.7	2.34	5.73
14 900	11 100		5.49	5.25
			4.98	
72 500	53 000	14.6	2.78	6.57
16 300	11 900		6.28	6.00

Ball bearings
Set screw type

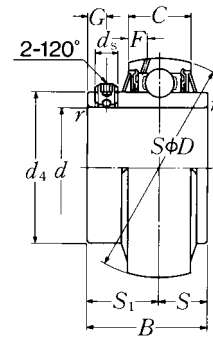


Shaft dia.	Bearing number	Nominal dimensions										
		<i>d</i>	<i>D</i>	<i>B</i>	<i>C</i>	<i>r_s</i> mm min.	<i>S</i> mm	<i>S₁</i> inch	<i>G</i>	<i>d_s</i>	<i>d₄</i>	<i>F</i>
85	UC217D1	85	150	85.7	36	2.5	34.1	51.6	12	M12 × 1.5	106.4	10.1
3¹/₄	UC217-304D1	3.2500										
3⁵/₁₆	UC217-305D1	3.3125	5.9055	3.3740	1.4173	0.098	1.343	2.031	0.472	1/2-20UNF	4.1890	0.398
3⁷/₁₆	UC217-307D1	3.4375										
90	UC218D1	90	160	96	37	2.5	39.7	56.3	12	M12 × 1.5	111.6	9.8
3¹/₂	UC218-308D1	3.5000	6.2992	3.7795	1.4570	0.098	1.563	2.217	0.472	1/2-20UNF	4.3937	0.386

Remarks: 1) For inch series bearings, the f_0 factor for calculating equivalent radial load is the same as the metric series.

Basic load ratings		Factor ¹⁾ f_0	Mass	
N dynamic C_r	lbf static C_{or}		kg	lb
83 500	64 000	14.7	3.54	7.92
18 700	14 300		7.60	6.97
96 000	71 500		4.40	
21 600	16 100	14.5	9.88	

Ball bearings
Set screw type

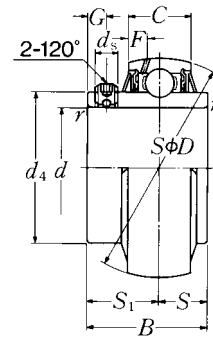


Shaft dia.	Bearing number	Nominal dimensions										
		<i>d</i>	<i>D</i>	<i>B</i>	<i>C</i>	<i>r_s</i> mm min.	<i>S</i>	<i>S₁</i>	<i>G</i>	<i>d_s</i>	<i>d₄</i>	<i>F</i>
25	UC305D1	25	62	38	20	1.5	15	23	6	M6 × 0.75	36.8	5.0
$1\frac{3}{16}$	UC305-013D1	0.8125										
$\frac{7}{8}$	UC305-014D1	0.8750	2.4409	1.4961	0.7874	0.059	0.591	0.906	0.236	$\frac{1}{4}$ -28UNF	1.4488	0.197
$1\frac{5}{16}$	UC305-015D1	0.9375										
1	UC305-100D1	1.0000										
30	UC306D1	30	72	43	23	1.5	17	26	6	M6 × 0.75	44.9	5.9
$1\frac{1}{16}$	UC306-101D1	1.0625										
$1\frac{1}{8}$	UC306-102D1	1.1250	2.8346	1.6929	0.9055	0.059	0.669	1.024	0.236	$\frac{1}{4}$ -28UNF	1.7677	0.232
$1\frac{3}{16}$	UC306-103D1	1.1875										
35	UC307D1	35	80	48	25	2	19	29	8	M8 × 1	49.4	6.8
$1\frac{1}{4}$	UC307-104D1	1.2500										
$1\frac{5}{16}$	UC307-105D1	1.3125	3.1496	1.8898	0.9843	0.079	0.748	1.142	0.315	$\frac{5}{16}$ -24UNF	1.9449	0.268
$1\frac{3}{8}$	UC307-106D1	1.3750										
$1\frac{7}{16}$	UC307-107D1	1.4375										
40	UC308D1	40	90	52	27	2	19	33	10	M10 × 1.25	56	7.4
$1\frac{1}{2}$	UC308-108D1	1.5000	3.5433	2.0472	1.0630	0.079	0.748	1.299	0.394	$\frac{3}{8}$ -24UNF	2.2047	0.291
$1\frac{9}{16}$	UC308-109D1	1.5625										
45	UC309D1	45	100	57	29	2	22	35	10	M10 × 1.25	63.5	7.4
$1\frac{5}{8}$	UC309-110D1	1.6250										
$1\frac{11}{16}$	UC309-111D1	1.6875	3.9370	2.2441	1.1417	0.079	0.866	1.378	0.394	$\frac{3}{8}$ -24UNF	2.5000	0.291
$1\frac{3}{4}$	UC309-112D1	1.7500										
50	UC310D1	50	110	61	32	2.5	22	39	12	M12 × 1.5	70.6	8.1
$1\frac{13}{16}$	UC310-113D1	1.8125										
$1\frac{7}{8}$	UC310-114D1	1.8750	4.3307	2.4016	1.2598	0.098	0.866	1.535	0.472	$\frac{1}{2}$ -20UNF	2.7795	0.319
$1\frac{15}{16}$	UC310-115D1	1.9375										
55	UC311D1	55	120	66	34	2.5	25	41	12	M12 × 1.5	76.6	8.5
2	UC311-200D1	2.0000										
$2\frac{1}{16}$	UC311-201D1	2.0625	4.7244	2.5984	1.3386	0.098	0.984	1.614	0.472	$\frac{1}{2}$ -20UNF	3.0157	0.335
$2\frac{1}{8}$	UC311-202D1	2.1250										
$2\frac{3}{16}$	UC311-203D1	2.1875										

Remarks: 1) For inch series bearings, the f_0 factor for calculating equivalent radial load is the same as the metric series.

Basic load ratings		Factor ¹⁾	Mass
N dynamic C_r	lbf static C_{or}	f_0	kg lb
21 200	10 900	12.6	0.35
4 750	2 460		0.88
			0.84
			0.79
			0.77
26 700	15 000	13.3	0.56
6 000	3 400		1.34
			1.28
			1.23
33 500	19 100	13.1	0.70
7 500	4 300		1.70
			1.63
			1.57
			1.50
40 500	24 000	13.2	0.96
9 150	5 400		2.23
			2.14
53 000	32 000	13.1	1.28
11 900	7 200		3.06
			2.98
			2.87
62 000	38 500	13.2	1.68
13 900	8 600		3.95
			3.84
			3.70
71 500	45 000	13.2	2.08
			4.96
16 100	10 100		4.81
			4.67
			4.50

Ball bearings
Set screw type

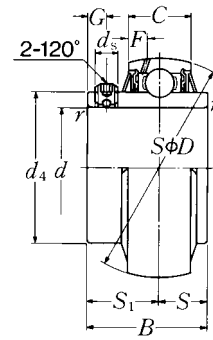


Shaft dia.	Bearing number	Nominal dimensions										
		<i>d</i>	<i>D</i>	<i>B</i>	<i>C</i>	<i>r_s</i> mm min.	<i>S</i>	inch <i>S₁</i>	<i>G</i>	<i>d_s</i>	<i>d₄</i>	<i>F</i>
60	UC312D1	60	130	71	36	2.5	26	45	12	M12 × 1.5	82.7	9.0
$2\frac{1}{4}$	UC312-204D1	2.2500										
$2\frac{5}{16}$	UC312-205D1	2.3125	5.1181	2.7953	1.4173	0.098	1.024	1.772	0.472	$\frac{1}{2}$ -20UNF	3.2559	0.354
$2\frac{3}{8}$	UC312-206D1	2.3750										
$2\frac{7}{16}$	UC312-207D1	2.4375										
65	UC313D1	65	140	75	39	2.5	30	45	12	M12 × 1.5	88.2	10.1
$2\frac{1}{2}$	UC313-208D1	2.5000	5.5118	2.9528	1.5354	0.098	1.181	1.772	0.472	$\frac{1}{2}$ -20UNF	3.4724	0.398
$2\frac{9}{16}$	UC313-209D1	2.5625										
70	UC314D1	70	150	78	41	2.5	33	45	12	M12 × 1.5	94.8	10.5
$2\frac{5}{8}$	UC314-210D1	2.6250										
$2\frac{11}{16}$	UC314-211D1	2.6875	5.9055	3.0709	1.6142	0.098	1.299	1.772	0.472	$\frac{1}{2}$ -20UNF	3.7323	0.413
$2\frac{3}{4}$	UC314-212D1	2.7500										
75	UC315D1	75	160	82	43	2.5	32	50	14	M14 × 1.5	101.3	11.0
$2\frac{13}{16}$	UC315-213D1	2.8125										
$2\frac{7}{8}$	UC315-214D1	2.8750	6.2992	3.2283	1.6929	0.098	1.260	1.969	0.551	$\frac{9}{16}$ -18UNF	3.9882	0.433
$2\frac{15}{16}$	UC315-215D1	2.9375										
3	UC315-300D1	3.0000										
80	UC316D1	80	170	86	45	2.5	34	52	14	M14 × 1.5	107.9	11.4
$3\frac{1}{16}$	UC316-301D1	3.0625										
$3\frac{1}{8}$	UC316-302D1	3.1250	6.6929	3.3858	1.7717	0.098	1.339	2.047	0.551	$\frac{9}{16}$ -18UNF	4.2480	0.449
$3\frac{3}{16}$	UC316-303D1	3.1875										
85	UC317D1	85	180	96	47	3	40	56	16	M16 × 1.5	114.4	12.0
$3\frac{1}{4}$	UC317-304D1	3.2500										
$3\frac{5}{16}$	UC317-305D1	3.3125	7.0866	3.7795	1.8504	0.118	1.575	2.205	0.630	$\frac{5}{8}$ -18UNF	4.5039	0.472
$3\frac{7}{16}$	UC317-307D1	3.4375										
90	UC318D1	90	190	96	49	3	40	56	16	M16 × 1.5	120.9	12.3
$3\frac{7}{16}$	UC318-307D1	3.4375	7.4803	3.7795	1.9291	0.118	1.575	2.205	0.630	$\frac{5}{8}$ -18UNF	4.7598	0.484
$3\frac{1}{2}$	UC318-308D1	3.5000										

Remarks: 1) For inch series bearings, the f_0 factor for calculating equivalent radial load is the same as the metric series.

Basic load ratings		Factor ¹⁾ f_0	Mass	
N dynamic C_r	lbf static C_{or}		kg	lb
82 000	52 000	13.2	2.60	6.06
18 400	11 700		5.89	5.68
			5.68	5.51
			5.51	
92 500	60 000	13.2	3.25	7.36
20 800	13 400		7.36	7.14
			7.14	
104 000	68 000	13.2	3.86	9.06
23 400	15 300		9.06	8.82
			8.82	8.60
			8.60	
113 000	77 000	13.2	4.70	11.0
25 500	17 400		11.0	10.7
			10.7	10.5
			10.5	10.2
			10.2	
123 000	86 500	13.3	5.60	12.6
27 600	19 500		12.6	12.3
			12.3	12.1
			12.1	
133 000	97 000	13.3	6.70	15.2
29 800	21 800		15.2	14.9
			14.9	14.2
			14.2	
143 000	107 000	13.3	7.60	17.3
32 000	24 100		17.3	16.9
			16.9	

Ball bearings
Set screw type

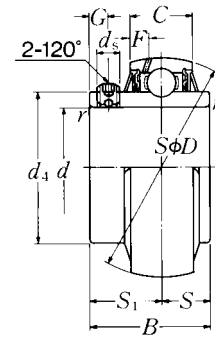


Shaft dia.	Bearing number	Nominal dimensions										
		<i>d</i>	<i>D</i>	<i>B</i>	<i>C</i>	<i>r_s</i> mm min.	<i>S</i>	inch <i>S₁</i>	<i>G</i>	<i>d_s</i>	<i>d₄</i>	<i>F</i>
95	UC319D1	95	200	103	51	3	41	62	16	M16 × 1.5	127.5	12.8
3⁵/₈	UC319-310D1	3.6250										
3¹¹/₁₆	UC319-311D1	3.6875	7.8740	4.0551	2.0079	0.118	1.614	2.441	0.630	5/8-18UNF	5.0197	0.504
3³/₄	UC319-312D1	3.7500										
100	UC320D1	100	215	108	55	3	42	66	18	M18 × 1.5	135.6	13.5
3¹³/₁₆	UC320-313D1	3.8125										
3⁷/₈	UC320-314D1	3.8750	8.4646	4.2520	2.1654	0.118	1.654	2.598	0.709	5/8-18UNF	5.3386	0.531
3¹⁵/₁₆	UC320-315D1	3.9375										
4	UC320-400D1	4.0000										
105	UC321D1	105	225	112	57	3	44	68	18	M18 × 1.5	142.1	13.9
110	UC322D1	110	240	117	59	3	46	71	18	M18 × 1.5	151.7	13.9
120	UC324D1	120	260	126	63	3	51	75	18	M18 × 1.5	165.2	16.0
130	UC326D1	130	280	135	67	4	54	81	20	M20 × 1.5	178.3	16.9
140	UC328D1	140	300	145	71	4	59	86	20	M20 × 1.5	190.4	17.7

Remarks: 1) For inch series bearings, the f_0 factor for calculating equivalent radial load is the same as the metric series.

Basic load ratings		Factor ¹⁾ f_0	Mass	
N dynamic C_r	lbf static C_{or}		kg	lb
153 000	119 000	13.3	8.70	19.9
34 500	26 600		19.5	19.1
173 000	141 000	13.2	10.8	24.7
39 000	31 500		24.2	23.8
			23.4	
184 000	153 000	13.2	12.2	
205 000	179 000	13.1	14.3	
207 000	185 000	13.5	18.5	
229 000	214 000	13.6	23.0	
253 000	246 000	13.6	28.5	

Ball bearings
Set screw type

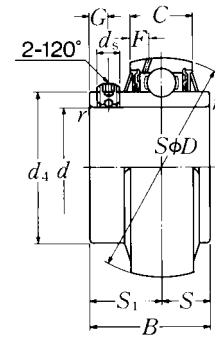


Shaft dia.	Bearing number	Nominal dimensions										
		<i>d</i>	<i>D</i>	<i>B</i>	<i>C</i>	<i>r_s</i> mm min.	<i>S</i>	inch <i>S₁</i>	<i>G</i>	<i>d_s</i>	<i>d₄</i>	<i>F</i>
25	UCX05D1	25	62	38.1	19	1	15.9	22.2	5	M6 × 0.75	40.8	4.6
$1\frac{3}{16}$	UCX05-013D1	0.8125										
$\frac{7}{8}$	UCX05-014D1	0.8750	2.4409	1.5000	0.7480	0.039	0.626	0.874	0.197	$\frac{1}{4}$ -28UNF	1.6063	0.181
$1\frac{5}{16}$	UCX05-015D1	0.9375										
1	UCX05-100D1	1.0000										
30	UCX06D1	30	72	42.9	20	1	17.5	25.4	6	M8 × 1	46.8	4.6
$1\frac{1}{16}$	UCX06-101D1	1.0625										
$1\frac{1}{8}$	UCX06-102D1	1.1250	2.8346	1.6890	0.7874	0.039	0.689	1.000	0.236	$\frac{5}{16}$ -24UNF	1.8425	0.181
$1\frac{3}{16}$	UCX06-103D1	1.1875										
35	UCX07D1	35	80	49.2	21	1.5	19	30.2	8	M8 × 1	53	4.5
$1\frac{5}{16}$	UCX07-105D1	1.3125										
$1\frac{3}{8}$	UCX07-106D1	1.3750	3.1496	1.9370	0.8268	0.059	0.748	1.189	0.315	$\frac{5}{16}$ -24UNF	2.0866	0.177
$1\frac{7}{16}$	UCX07-107D1	1.4375										
40	UCX08D1	40	85	49.2	22	1.5	19	30.2	8	M8 × 1	57.5	4.9
$1\frac{1}{2}$	UCX08-108D1	1.5000	3.3465	1.9370	0.8661	0.059	0.748	1.189	0.315	$\frac{5}{16}$ -24UNF	2.2638	0.193
$1\frac{9}{16}$	UCX08-109D1	1.5625										
45	UCX09D1	45	90	51.6	24	1.5	19	32.6	9	M10 × 1.25	62.4	5.9
$1\frac{5}{8}$	UCX09-110D1	1.6250										
$1\frac{11}{16}$	UCX09-111D1	1.6875	3.5433	2.0315	0.9449	0.059	0.748	1.283	0.354	$\frac{3}{8}$ -24UNF	2.4567	0.232
$1\frac{3}{4}$	UCX09-112D1	1.7500										
50	UCX10D1	50	100	55.6	25	1.5	22.2	33.4	9	M10 × 1.25	69	6.0
$1\frac{7}{8}$	UCX10-114D1	1.8750	3.9370	2.1890	0.9843	0.059	0.874	1.315	0.354	$\frac{3}{8}$ -24UNF	2.7165	0.236
$1\frac{15}{16}$	UCX10-115D1	1.9375										
55	UCX11D1	55	110	65.1	27	2	25.4	39.7	10	M10 × 1.25	77	6.2
$2\frac{1}{16}$	UCX11-201D1	2.0625										
$2\frac{1}{8}$	UCX11-202D1	2.1250	4.3307	2.5630	1.0630	0.079	1.000	1.563	0.394	$\frac{3}{8}$ -24UNF	3.0315	0.244
$2\frac{3}{16}$	UCX11-203D1	2.1875										
60	UCX12D1	60	120	65.1	32	2	25.4	39.7	10	M10 × 1.25	82.5	8.7
$2\frac{3}{8}$	UCX12-206D1	2.3750	4.7244	2.5630	1.2598	0.079	1.000	1.563	0.394	$\frac{3}{8}$ -24UNF	3.2480	0.343
$2\frac{1}{2}$	UCX12-207D1	2.4375										

Remarks: 1) For inch series bearings, the f_0 factor for calculating equivalent radial load is the same as the metric series.

Basic load ratings		Factor ¹⁾ f_0	Mass	
N dynamic C_r	lbf static C_{or}		kg	lb
19 500	11 300	13.8	0.39	0.97
4 400	2 540		0.93	0.88
			0.88	0.84
			0.84	
25 700	15 300	13.8	0.68	1.61
5 750	3 450		1.54	1.50
			1.50	
29 100	17 800	14.0	0.74	1.87
6 550	4 000		1.81	1.74
			1.74	
32 500	20 400	14.1	0.80	2.16
7 350	4 600		2.16	2.07
			2.07	
35 000	23 200	14.4	0.94	2.43
7 900	5 200		2.34	2.25
			2.25	
43 500	29 200	14.3	1.22	3.15
9 750	6 550		3.15	3.04
			3.04	
52 500	36 000	14.3	1.72	4.43
11 800	8 150		4.30	4.12
			4.12	
57 500	40 000	14.4	2.10	4.96
12 900	9 000		4.96	4.81
			4.81	

Ball bearings
Set screw type

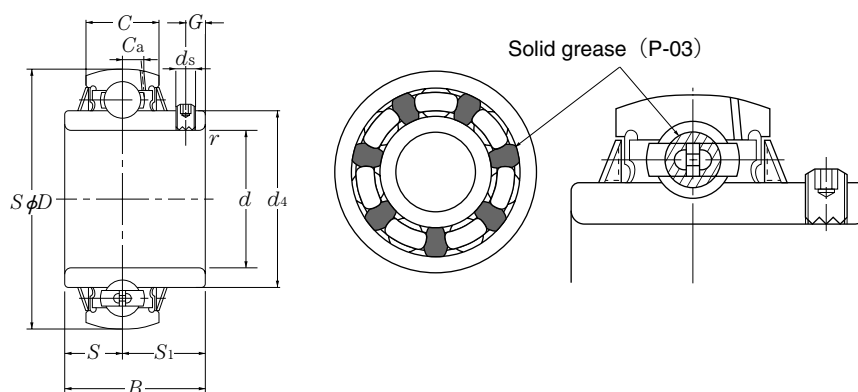


Shaft dia.	Bearing number	Nominal dimensions										
		<i>d</i>	<i>D</i>	<i>B</i>	<i>C</i>	<i>r_s</i> mm min.	<i>S</i>	inch <i>S₁</i>	<i>G</i>	<i>d_s</i>	<i>d₄</i>	<i>F</i>
65	UCX13D1	65	125	74.6	33	2	30.2	44.4	12	M12 × 1.5	87	8.8
2½	UCX13-208D1	2.5000	4.9213	2.9370	1.2992	0.079	1.189	1.748	0.472	½-20UNF	3.4252	0.346
2⅝	UCX13-209D1	2.5625										
70	UCX14D1	70	130	77.8	34	2	33.3	44.5	12	M12 × 1.5	93	9.0
2⅝	UCX14-210D1	2.6250										
2⅞	UCX14-211D1	2.6875	5.1181	3.0630	1.3386	0.079	1.311	1.752	0.472	½-20UNF	3.6614	0.354
2¾	UCX14-212D1	2.7500										
75	UCX15D1	75	140	82.6	35	2	33.3	49.3	12	M12 × 1.5	98.1	9.5
2⅞	UCX15-213D1	2.8125										
2⅞	UCX15-214D1	2.8750	5.5118	3.2520	1.3780	0.079	1.311	1.941	0.472	½-20UNF	3.8622	0.374
2⅞	UCX15-215D1	2.9375										
3	UCX15-300D1	3.0000										
80	UCX16D1	80	150	85.7	36	2.5	34.1	51.6	12	M12 × 1.5	106.4	10.1
3⅞	UCX16-301D1	3.0625										
3⅞	UCX16-302D1	3.1250	5.9055	3.3740	1.4173	0.098	1.343	2.031	0.472	½-20UNF	4.1890	0.398
3⅞	UCX16-303D1	3.1875										
85	UCX17D1	85	160	96	37	2.5	39.7	56.3	12	M12 × 1.5	111.6	9.8
3⅞	UCX17-305D1	3.3125	6.2992	3.7795	1.4567	0.098	1.563	2.217	0.472	½-20UNF	4.3937	0.386
3⅞	UCX17-307D1	3.4375										
90	UCX18D1	90	170	104	39	2.5	42.9	61.1	14	M14 × 1.5	118.2	10.5
3⅞	UCX18-307D1	3.4375	6.6929	4.0945	1.5354	0.098	1.689	2.406	0.551	⅝-18UNF	4.6535	0.413
3½	UCX18-308D1	3.5000										
100	UCX20D1	100	190	117.5	44	2.5	49.2	68.3	16	M16 × 1.5	131.3	11.3
3⅞	UCX20-313D1	3.8125										
3⅞	UCX20-314D1	3.8750	7.4803	4.6260	1.7323	0.098	1.937	2.689	0.630	⅝-18UNF	5.1693	0.445
3⅞	UCX20-315D1	3.9375										
4	UCX20-400D1	4.0000										

Remarks: 1) For inch series bearings, the f_0 factor for calculating equivalent radial load is the same as the metric series.

Basic load ratings		Factor ¹⁾	Mass	
N dynamic C_r	lbf static C_{or}	f_0	kg	lb
62 000	44 000	14.5	2.45	5.60
14 000	9 900		5.38	
66 000	49 500	14.7	2.47	5.93
14 900	11 100		5.69	5.47
72 500	53 000	14.6	3.11	7.43
16 300	11 900		7.19	6.92
			6.66	
83 500	64 000	14.7	3.96	8.75
18 700	14 300		8.47	8.18
96 000	71 500	14.5	4.72	10.8
21 600	16 100		10.1	
109 000	82 000	14.4	5.50	13.3
24 500	18 400		12.4	
133 000	105 000	14.4	8.06	18.8
29 900	23 500		18.4	19.7
			19.2	

Stainless ball bearing with solid grease Set screw type

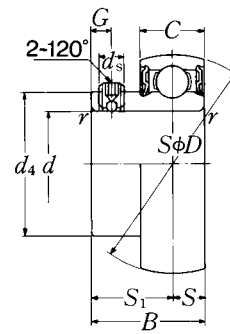


Shaft dia. mm	Bearing number	Nominal dimensions										
		<i>d</i>	<i>D</i>	<i>B</i>	<i>C</i>	<i>r_s</i> min.	mm <i>S</i>	<i>S</i> ₁	<i>G</i>	<i>d_s</i>	<i>C_a</i>	<i>d</i> ₄
20	F-UC204D1/LP03	20	47	31	17	1	12.7	18.3	4.5	M5 × 0.8	3.8	29.6
25	F-UC205D1/LP03	25	52	34.1	17	1	14.3	19.8	5	M5 × 0.8	4	33.9
30	F-UC206D1/LP03	30	62	38.1	19	1	15.9	22.2	5	M6 × 0.75	4.9	40.8
35	F-UC207D1/LP03	35	72	42.9	20	1.5	17.5	25.4	6	M6 × 0.75	5.4	46.8
40	F-UC208D1/LP03	40	80	49.2	21	1.5	19	30.2	8	M8 × 1	6	53
45	F-UC209D1/LP03	45	85	49.2	22	1.5	19	30.2	8	M8 × 1	6.1	57.5
50	F-UC210D1/LP03	50	90	51.6	24	1.5	19	32.6	9	M8 × 1	6.1	62.4

Remarks: 1) The basic dynamic load rating C_r of the bearing is different from a bearing made with standard bearing steel.

Basic load ratings		Factor	Mass
dynamic C_r	N static C_{or}	f_0	kg
9 900	6 650	13.2	0.17
10 800	7 850	13.9	0.20
15 000	11 300	13.8	0.30
19 700	15 300	13.8	0.40
22 400	17 800	14.0	0.60
25 200	20 400	14.1	0.68
27 000	23 200	14.4	0.78

Ball bearings
Set screw type



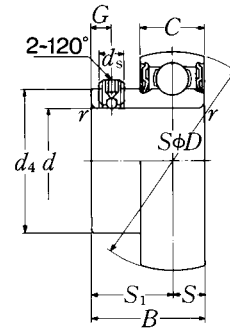
Shaft dia. mm inch	Bearing number ¹⁾	Nominal dimensions									
		d	D	B	C	mm r_s min.	inch S	S_1	G	d_s	d_4
12 1/2	AS201	12	40	22	12	0.6	6	16	4.2	M5 × 0.8	24.3
	AS201-008	0.5000	1.5748	0.8661	0.4724	0.024	0.236	0.630	0.165	No.10-32UNF	0.957
15 9/16 5/8	AS202	15	40	22	12	0.6	6	16	4.2	M5 × 0.8	24.3
	AS202-009	0.5625	1.5748	0.8661	0.4724	0.024	0.236	0.630	0.165	No.10-32UNF	0.957
	AS202-010	0.6250									
17 11/16	AS203	17	40	22	12	0.6	6	16	4.2	M5 × 0.8	24.3
	AS203-011	0.6875	1.5748	0.8661	0.4724	0.024	0.236	0.630	0.165	No.10-32UNF	0.957
20 3/4	AS204	20	47	25	14	1	7	18	4.2	M5 × 0.8	29.6
	AS204-012	0.7500	1.8504	0.9843	0.5512	0.039	0.276	0.709	0.165	No.10-32UNF	1.165
25 13/16 7/8 15/16 1	AS205	25	52	27	15	1	7.5	19.5	5	M5 × 0.8	33.9
	AS205-013	0.8125									
	AS205-014	0.8750	2.0472	1.0630	0.5906	0.039	0.295	0.768	0.197	No.10-32UNF	1.335
	AS205-015	0.9375									
30 1 1/16 1 1/8 1 3/16 1 1/4	AS206	30	62	29	16	1	8	21	5	M6 × 0.75	40.8
	AS206-101	1.0625									
	AS206-102	1.1250	2.4409	1.1417	0.6299	0.039	0.315	0.827	0.197	1/4-28UNF	1.606
	AS206-103	1.1875									
35 1 1/4 1 5/16 1 3/8 1 7/16	AS207	35	72	34	17	1.5	8.5	25.5	6	M6 × 0.75	46.8
	AS207-104	1.2500									
	AS207-105	1.3125	2.8346	1.3386	0.6693	0.059	0.335	1.004	0.236	1/4-28UNF	1.843
	AS207-106	1.3750									
40 1 1/2 1 9/16	AS208	40	80	38	18	1.5	9	29	8	M8 × 1	53
	AS208-108	1.5000	3.1496	1.4961	0.7087	0.059	0.354	1.142	0.315	5/16-24UNF	2.087
	AS208-109	1.5625									

Remarks: 1) If relubricatable type is needed, please order with suffix "D1".

2) For inch series bearings, the f_0 factor for calculating equivalent radial load is the same as the metric series.

Basic load ratings		Factor ²⁾	Mass	
N dynamic C_r	lbf static C_{or}		kg	lb
9 600	4 600	12.8	0.10	
2 160	1 030		0.22	
9 600	4 600	12.8	0.09	
2 160	1 030		0.21	0.20
9 600	4 600	12.8	0.08	
2 160	1 030		0.18	
12 800	6 650	13.2	0.13	
2 890	1 500		0.29	
14 000	7 850	13.9	0.16	
			0.42	
3 150	1 770		0.40	
			0.38	0.35
19 500	11 300	13.8	0.25	
			0.61	
4 400	2 540		0.59	
			0.57	0.55
25 700	15 300	13.8	0.38	
			1.06	
5 750	3 450		0.93	
			0.81	0.69
29 100	17 800	14.0	0.51	
			1.15	
6 550	4 000		1.06	

Ball bearings
Set screw type

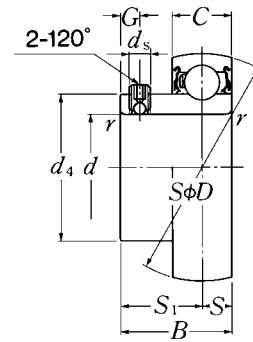


Shaft dia.	Bearing number ¹⁾	Nominal dimensions									
		<i>d</i>	<i>D</i>	<i>B</i>	<i>C</i>	mm <i>r_s</i> min.	inch <i>S</i>	<i>S</i> ₁	<i>G</i>	<i>d_s</i>	<i>d</i> ₄
45	AS209	45	85	40	19	1.5	9.5	30.5	8	M8 × 1	57.5
1⁵/₈	AS209-110	1.6250									
1¹¹/₁₆	AS209-111	1.6875	3.3465	1.5748	0.7480	0.059	0.374	1.201	0.315	5/16-24UNF	2.2638
1³/₄	AS209-112	1.7500									
50	AS210	50	90	42	20	1.5	10	32	9	M8X1	62.4
1¹³/₁₆	AS210-113	1.8125									
1⁷/₈	AS210-114	1.8750	3.5433	1.6535	0.7874	0.059	0.394	1.260	0.354	5/16-24UNF	2.4567
1¹⁵/₁₆	AS210-115	1.9375									
2	AS210-200	2.0000									

Remarks: 1) If relubricatable type is needed, please order with suffix "D1".

2) For inch series bearings, the f_0 factor for calculating equivalent radial load is the same as the metric series.

Basic load ratings		Factor ²⁾ f_0	Mass	
N dynamic C_r	lbf static C_{or}		kg	lb
32 500	20 400	14.1	0.55	1.39
7 350	4 600		1.32	1.23
35 000	23 200		0.65	1.65
7 900	5 200	14.4	1.57	1.48
			1.48	1.39
			1.39	

Ball bearings
Set screw type


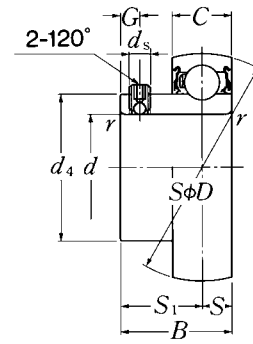
Shaft dia. mm inch	Bearing number ¹⁾	Nominal dimensions									
		<i>d</i>	<i>D</i>	<i>B</i>	<i>C</i>	mm <i>r_s</i> min.	inch <i>S</i>	<i>S</i> ₁	<i>G</i>	<i>d_s</i>	<i>d</i> ₄
12 ½	AR201	12	40	22.5	13	0.6	6.5	16	5	M6 × 0.75	24.4
	AR201-008	0.5000	1.5748	0.8858	0.5118	0.024	0.256	0.630	0.197	¼-28UNF	0.9606
15 9/16 5/8	AR202	15	40	22.5	13	0.6	6.5	16	5	M6 × 0.75	24.4
	AR202-009 AR202-010	0.5625 0.6250	1.5748	0.8858	0.5118	0.024	0.256	0.630	0.197	¼-28UNF	0.9606
17 11/16	AR203 AR203-011	17	40	22.5	13	0.6	6.5	16	5	M6 × 0.75 ¼-28UNF	24.4 0.9606
20 ¾	AR204 AR204-012	20	47	25.5	15	1	7.5	18	5	M6 × 0.75 ¼-28UNF	29.6 1.1654
25 13/16 7/8 15/16 1	AR205	25	52	27	15	1	7.5	19.5	5	M6 × 0.75	33.9
	AR205-013	0.8125									
	AR205-014	0.8750	2.0472	1.0630	0.5906	0.039	0.295	0.768	0.197	¼-28UNF	1.3346
	AR205-015 AR205-100	0.9375 1.0000									
30 1 1/16 1 1/8 1 3/16 1 1/4	AR206	30	62	30	18	1	9	21	5	M6 × 0.75	40.8
	AR206-101	1.0625									
	AR206-102	1.1250	2.4409	1.1811	0.7087	0.039	0.354	0.827	0.197	¼-28UNF	1.6063
	AR206-103 AR206-104	1.1875 1.2500									
35 1 1/4 1 5/16 1 3/8 1 7/16	AR207	35	72	35	19	1.5	9.5	25.5	6	M6 × 0.75	46.8
	AR207-104	1.2500									
	AR207-105	1.3125	2.8346	1.3780	0.7480	0.059	0.374	1.004	0.236	¼-28UNF	1.8425
	AR207-106 AR207-107	1.3750 1.4375									
40 1 1/2 1 9/16	AR208	40	80	40	22	1.5	11	29	8	M8 × 1	53
	AR208-108 AR208-109	1.5000 1.5625	3.1496	1.5748	0.8661	0.059	0.433	1.142	0.315	5/16-24UNF	2.0866

Remarks: 1) If relubricatable type is needed, please order with suffix "D1".

2) For inch series bearings, the f_0 factor for calculating equivalent radial load is the same as the metric series.

Basic load ratings		Factor ²⁾	Mass	
N dynamic C_r	lbf static C_{or}		kg	lb
9 600	4 600	12.8	0.11	
2 160	1 030		0.24	
9 600	4 600	12.8	0.10	
2 160	1 030		0.23	0.22
9 600	4 600	12.8	0.09	
2 160	1 030		0.20	
12 800	6 650	13.2	0.14	
2 890	1 500		0.31	
14 000	7 850	13.9	0.17	
			0.44	
3 150	1 770		0.42	
			0.40	0.37
19 500	11 300	13.8	0.26	
			0.63	
4 400	2 540		0.61	
			0.59	0.57
25 700	15 300	13.8	0.39	
			1.10	
5 750	3 450		0.97	
			0.85	0.73
29 100	17 800	14.0	0.54	
			1.24	
6 550	4 000		1.15	

Ball bearings
Set screw type



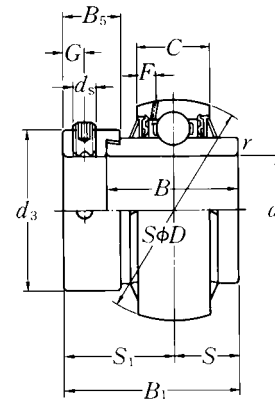
Shaft dia.	Bearing number ¹⁾	Nominal dimensions									
		<i>d</i>	<i>D</i>	<i>B</i>	<i>C</i>	mm <i>r_s</i> min.	inch <i>S</i>	<i>S</i> ₁	<i>G</i>	<i>d_s</i>	<i>d</i> ₄
45	AR209	45	85	41.5	22	1.5	11	30.5	8	M8X1	57.5
1⁵/₈	AR209-110	1.6250									
1¹¹/₁₆	AR209-111	1.6875	3.3465	1.6339	0.8661	0.059	0.433	1.201	0.315	5/16-24UNF	2.2638
1³/₄	AR209-112	1.7500									
50	AR210	50	90	43	22	1.5	11	32	9	M8X1	62.4
1¹³/₁₆	AR210-113	1.8125									
1⁷/₈	AR210-114	1.8750	3.5433	1.6929	0.8661	0.059	0.433	1.260	0.354	5/16-24UNF	2.4567
1¹⁵/₁₆	AR210-115	1.9375									
2	AR210-200	2.0000									

Remarks: 1) If relubricatable type is needed, please order with suffix "D1".

2) For inch series bearings, the f_0 factor for calculating equivalent radial load is the same as the metric series.

Basic load ratings		Factor ²⁾ f_0	Mass	
N dynamic C_r	lbf static C_{or}		kg	lb
32 500	20 400	14.1	0.61	1.54
7 350	4 600		1.46	1.39
35 000	23 200		0.70	1.76
7 900	5 200	14.4	1.68	1.59
			1.59	1.50
			1.50	

Ball bearings
Eccentric locking collar type

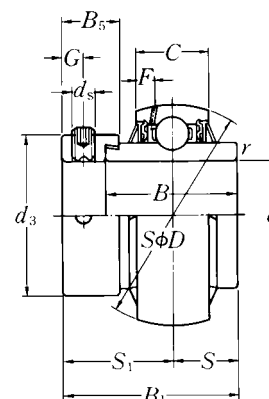


Shaft dia.	Bearing number	Nominal dimensions										
		<i>d</i>	<i>D</i>	<i>B</i> ₁	<i>B</i>	<i>C</i>	<i>r</i> _s min.	<i>S</i>	<i>S</i> ₁	<i>G</i>	<i>d</i> _s	<i>d</i> ₃
mm inch		mm	mm	mm	mm	mm	mm	inch	mm	mm	mm	mm
20 3/4	UEL204D1W3 UEL204-012D1W3	20 0.7500	47 1.8504	43.7 1.720	34.2 1.3465	17 0.6693	1	17.1 0.673	26.6 1.047	4.8 0.189	M6 × 0.75 1/4-28UNF	33 1.299
25 13/16 7/8 15/16 1	UEL205D1W3 UEL205-013D1W3 UEL205-014D1W3 UEL205-015D1W3 UEL205-100D1W3	25 0.8125 0.8750 0.9375 1.0000	52 2.0472	44.4 1.748	34.9 1.3740	17 0.6693	1	17.45 0.687	26.9 1.059	4.8 0.189	M6 × 0.75 1/4-28UNF	38 1.496
30 1 1/16 1 1/8 1 3/16 1 1/4	UEL206D1W3 UEL206-101D1W3 UEL206-102D1W3 UEL206-103D1W3 UEL206-104D1W3	30 1.0625 1.1250 1.1875 1.2500	62 2.4409	48.4 1.906	36.5 1.4370	19 0.7480	1	18.25 0.719	30.1 1.185	6 0.236	M8 × 1 5/16-24UNF	44.5 1.752
35 1 1/4 1 5/16 1 3/8 1 7/16	UEL207D1W3 UEL207-104D1W3 UEL207-105D1W3 UEL207-106D1W3 UEL207-107D1W3	35 1.2500 1.3125 1.3750 1.4375	72 2.8346	51.1 2.012	37.6 1.4803	20 0.7874	1.5	18.8 0.740	32.3 1.272	6.8 0.268	M10 × 1.25 3/8-24UNF	55.5 2.185
40 1 1/2 1 9/16	UEL208D1W3 UEL208-108D1W3 UEL208-109D1W3	40 1.5000 1.5625	80 3.1496	56.3 2.217	42.8 1.6850	21 0.8268	1.5	21.4 0.843	34.9 1.374	6.8 0.268	M10 × 1.25 3/8-24UNF	60 2.362
45 1 5/8 1 11/16 1 3/4	UEL209D1W3 UEL209-110D1W3 UEL209-111D1W3 UEL209-112D1W3	45 1.6250 1.6875 1.7500	85 3.3465	56.3 2.217	42.8 1.6850	22 0.8661	1.5	21.4 0.843	34.9 1.374	6.8 0.268	M10 × 1.25 3/8-24UNF	63.5 2.500
50 1 13/16 1 7/8 1 15/16 2	UEL210D1W3 UEL210-113D1W3 UEL210-114D1W3 UEL210-115D1W3 UEL210-200D1W3	50 1.8125 1.8750 1.9375 2.0000	90 3.5433	62.7 2.469	49.2 1.9370	24 0.9449	1.5	24.6 0.969	38.1 1.500	6.8 0.268	M10 × 1.25 3/8-24UNF	69.5 2.736

Remarks: 1) For inch series bearings, the *f*₀ factor for calculating equivalent radial load is the same as the metric series.

Nominal dimensions		Basic load ratings		Factor ¹⁾	Mass	
mm	inch	N dynamic	lbf static		kg lb	
<i>B₅</i>	<i>F</i>	<i>C_r</i>	<i>C_{0r}</i>	<i>f₀</i>		
13.5	4.7	12 800	6 650	13.2	0.23	
0.531	0.185	2 890	1 500		0.45	
13.5	4.5	14 000	7 850	13.9	0.27	
0.531	0.177	3 150	1 770		0.61	
					0.58	
					0.55	
15.9	4.6	19 500	11 300	13.8	0.45	
0.626	0.181	4 400	2 540		0.94	
					0.89	
					0.84	
17.5	4.6	25 700	15 300	13.8	0.60	
0.689	0.181	5 750	3 450		1.45	
					1.40	
					1.35	
18.3	4.5	29 100	17 800	14.0	0.78	
0.720	0.177	6 550	4 000		1.90	
0.720	0.193	7 350	4 600	14.1	1.82	
					0.80	
18.3	4.9	32 500	20 400		14.1	2.05
0.720	0.193	7 350	4 600			1.97
0.720	0.232	7 900	5 200	14.4	1.88	
					0.96	
18.3	5.9	35 000	23 200		14.4	2.46
0.720	0.232	7 900	5 200			2.36
0.720	0.232	7 900	5 200	14.4	2.25	
					2.09	

Ball bearings
Eccentric locking collar type

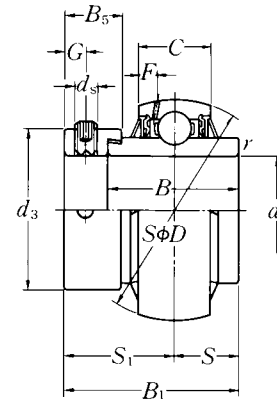


Shaft dia.	Bearing number	Nominal dimensions										
		<i>d</i>	<i>D</i>	<i>B</i> ₁	<i>B</i>	<i>C</i>	<i>r</i> _s min.	<i>S</i>	<i>S</i> ₁	<i>G</i>	<i>d</i> _s	<i>d</i> ₃
mm inch		mm	mm	mm	mm	mm	mm	inch	mm	mm	mm	mm
55	UEL211D1W3	55	100	71.4	55.5	25	2	27.75	43.6	8	M10 × 1.25	76
2	UEL211-200D1W3	2.0000										
2¹/₁₆	UEL211-201D1W3	2.0625	3.9370	2.811	2.1850	0.9843	0.079	1.093	1.717	0.315	³ / ₈ -24UNF	2.992
2¹/₈	UEL211-202D1W3	2.1250										
2³/₁₆	UEL211-203D1W3	2.1875										
60	UEL212D1W3	60	110	77.8	61.9	27	2	30.95	46.8	8	M10 × 1.25	84
2¹/₄	UEL212-204D1W3	2.2500										
2⁵/₁₆	UEL212-205D1W3	2.3125	4.3307	3.063	2.4370	1.0630	0.079	1.219	1.843	0.315	³ / ₈ -24UNF	3.307
2³/₈	UEL212-206D1W3	2.3750										
2⁷/₁₆	UEL212-207D1W3	2.4375										
65	UEL213D1W3	65	120	85.7	68.3	32	2	34.15	51.55	8.7	M10 × 1.25	97
2¹/₂	UEL213-208D1W3	2.5000	4.7244	3.374	2.6890	1.2598	0.079	1.344	2.030	0.343	³ / ₈ -24UNF	3.819
2⁹/₁₆	UEL213-209D1W3	2.5625										
70	UEL214D1W3	70	125	85.7	68.3	33	2	34.15	51.55	8.7	M10 × 1.25	97
2⁵/₈	UEL214-210D1W3	2.6250										
2¹¹/₁₆	UEL214-211D1W3	2.6875	4.9213	3.374	2.6890	1.2992	0.079	1.344	2.030	0.343	³ / ₈ -24UNF	3.819
2³/₄	UEL214-212D1W3	2.7500										
75	UEL215D1W3	75	130	92	74.6	34	2	37.3	54.7	8.7	M10 × 1.25	102
2¹³/₁₆	UEL215-213D1W3	2.8125										
2⁷/₈	UEL215-214D1W3	2.8750	5.1181	3.622	2.9370	1.3386	0.079	1.469	2.154	0.343	³ / ₈ -24UNF	4.016
2¹⁵/₁₆	UEL215-215D1W3	2.9375										
3	UEL215-300D1W3	3.0000										

Remarks: 1) For inch series bearings, the *f*₀ factor for calculating equivalent radial load is the same as the metric series.

Nominal dimensions		Basic load ratings		Factor ¹⁾	Mass
mm	inch	N dynamic	lbf static		kg lb
B_5	F'	C_r	C_{or}	f_0	
20.7	6.0	43 500	29 200	14.3	1.32
					3.28
0.815	0.236	9 750	6 550		3.12
					3.02
					2.90
22.3	6.2	52 500	36 000	14.3	1.79
					4.38
0.878	0.244	11 800	8 150		4.22
					4.05
					3.88
23.8	8.7	57 500	40 000	14.4	2.54
					5.47
0.937	0.343	12 900	9 000		5.30
23.8	8.8	62 000	44 000	14.5	2.47
					5.67
0.937	0.346	14 000	9 900		5.45
					5.18
23.8	9.0	66 000	49 500	14.7	2.68
					6.39
0.937	0.354	14 900	11 100		6.15
					5.91
					5.60

Ball bearings
Eccentric locking collar type

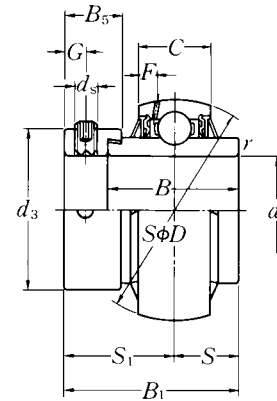


Shaft dia.	Bearing number	Nominal dimensions										
		<i>d</i>	<i>D</i>	<i>B</i> ₁	<i>B</i>	<i>C</i>	<i>r</i> _s min.	<i>S</i>	<i>S</i> ₁	<i>G</i>	<i>d</i> _s	<i>d</i> ₃
mm inch		mm	mm	mm	mm	mm	mm	inch	mm	mm	mm	mm
25	UEL305D1W3	25	62	46.8	34.9	20	1.5	16.7	30.1	6	M8 × 1	42.8
$1\frac{3}{16}$	UEL305-013D1W3	0.8125										
$\frac{7}{8}$	UEL305-014D1W3	0.8750	2.4409	1.843	1.3740	0.7874	0.059	0.657	1.185	0.236	$\frac{5}{16}$ -24UNF	1.685
$1\frac{5}{16}$	UEL305-015D1W3	0.9375										
1	UEL305-100D1W3	1.0000										
30	UEL306D1W3	30	72	50	36.5	23	1.5	17.5	32.5	6.7	M8 × 1	50
$1\frac{1}{16}$	UEL306-101D1W3	1.0625										
$1\frac{1}{8}$	UEL306-102D1W3	1.1250	2.8346	1.969	1.4370	0.9055	0.059	0.689	1.280	0.264	$\frac{5}{16}$ -24UNF	1.969
$1\frac{3}{16}$	UEL306-103D1W3	1.1875										
35	UEL307D1W3	35	80	51.6	38.1	25	2	18.3	33.3	6.7	M8 × 1	55
$1\frac{1}{4}$	UEL307-104D1W3	1.2500										
$1\frac{5}{16}$	UEL307-105D1W3	1.3125	3.1496	2.031	1.5000	0.9843	0.079	0.720	1.311	0.264	$\frac{5}{16}$ -24UNF	2.165
$1\frac{3}{8}$	UEL307-106D1W3	1.3750										
$1\frac{7}{16}$	UEL307-107D1W3	1.4375										
40	UEL308D1W3	40	90	57.1	41.3	27	2	19.8	37.3	8	M10 × 1.25	63.5
$1\frac{1}{2}$	UEL308-108D1W3	1.5000	3.5433	2.248	1.6260	1.0630	0.079	0.780	1.469	0.315	$\frac{3}{8}$ -24UNF	2.500
$1\frac{9}{16}$	UEL308-109D1W3	1.5625										
45	UEL309D1W3	45	100	58.7	42.9	29	2	19.8	38.9	8	M10 × 1.25	70
$1\frac{5}{8}$	UEL309-110D1W3	1.6250										
$1\frac{11}{16}$	UEL309-111D1W3	1.6875	3.9370	2.311	1.6890	1.1417	0.079	0.780	1.531	0.315	$\frac{3}{8}$ -24UNF	2.756
$1\frac{3}{4}$	UEL309-112D1W3	1.7500										
50	UEL310D1W3	50	110	66.6	49.2	32	2.5	24.6	42	8.7	M10 × 1.25	76.2
$1\frac{13}{16}$	UEL310-113D1W3	1.8125										
$1\frac{7}{8}$	UEL310-114D1W3	1.8750	4.3307	2.622	1.9370	1.2598	0.098	0.969	1.654	0.343	$\frac{3}{8}$ -24UNF	3.000
$1\frac{15}{16}$	UEL310-115D1W3	1.9375										
55	UEL311D1W3	55	120	73	55.6	34	2.5	27.8	45.2	8.7	M10 × 1.25	83
2	UEL311-200D1W3	2.0000										
$2\frac{1}{16}$	UEL311-201D1W3	2.0625	4.7244	2.874	2.1890	1.3386	0.098	1.094	1.780	0.343	$\frac{3}{8}$ -24UNF	3.268
$2\frac{1}{8}$	UEL311-202D1W3	2.1250										
$2\frac{3}{16}$	UEL311-203D1W3	2.1875										

Remarks: 1) For inch series bearings, the f_0 factor for calculating equivalent radial load is the same as the metric series.

Nominal dimensions		Basic load ratings		Factor ¹⁾	Mass
mm	inch	N dynamic	lbf static		kg lb
<i>B₅</i>	<i>F</i>	<i>C_r</i>	<i>C_{0r}</i>	<i>f₀</i>	
15.9	5.0	21 200	10 900		0.43
				12.6	1.09
0.626	0.197	4 750	2 460		1.05
					1.01
					0.96
17.5	5.9	26 700	15 000		0.69
				13.3	1.57
0.689	0.232	6 000	3 400		1.51
					1.45
17.5	6.8	33 500	19 100		0.78
				13.1	1.92
0.689	0.268	7 500	4 300		1.84
					1.77
					1.69
20.6	7.4	40 500	24 000		1.10
				13.2	2.58
0.811	0.291	9 150	5 400		2.49
20.6	7.4	53 000	32 000		1.40
				13.1	3.36
0.811	0.291	11 900	7 200		3.26
					3.15
22.2	8.1	62 000	38 500		1.84
				13.2	4.40
0.874	0.319	13 900	8 600		4.29
					4.15
22.2	8.5	71 500	45 000		2.36
				13.2	5.58
0.874	0.335	16 100	10 100		5.39
					5.25
					5.08

Ball bearings
Eccentric locking collar type

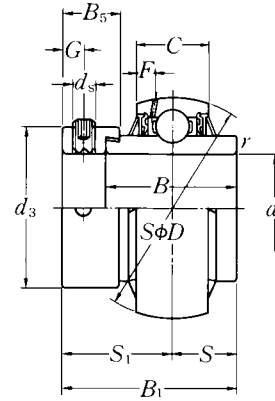


Shaft dia.	Bearing number	Nominal dimensions										
		<i>d</i>	<i>D</i>	<i>B</i> ₁	<i>B</i>	<i>C</i>	<i>r</i> _s min.	<i>S</i>	<i>S</i> ₁	<i>G</i>	<i>d</i> _s	<i>d</i> ₃
mm inch		mm	mm	mm	mm	mm	mm	inch	mm	mm	mm	mm
60	UEL312D1W3	60	130	79.4	61.9	36	2.5	30.95	48.45	8.7	M10 × 1.25	89
2¹/₄	UEL312-204D1W3	2.2500										
2⁵/₁₆	UEL312-205D1W3	2.3125	5.1181	3.126	2.4370	1.4173	0.098	1.219	1.907	0.343	3/8-24UNF	3.504
2³/₈	UEL312-206D1W3	2.3750										
2⁷/₁₆	UEL312-207D1W3	2.4375										
65	UEL313D1W3	65	140	85.7	65.1	39	2.5	32.55	53.15	10.3	M12 × 1.5	97
2¹/₂	UEL313-208D1W3	2.5000	5.5118	3.374	2.5630	1.5354	0.098	1.281	2.093	0.406	1/2-20UNF	3.819
2⁹/₁₆	UEL313-209D1W3	2.5625										
70	UEL314D1W3	70	150	92.1	68.3	41	2.5	34.15	57.95	10.3	M12 × 1.5	102
2⁵/₈	UEL314-210D1W3	2.6250										
2¹¹/₁₆	UEL314-211D1W3	2.6875	5.9055	3.626	2.6890	1.6142	0.098	1.344	2.281	0.406	1/2-20UNF	4.016
2³/₄	UEL314-212D1W3	2.7500										
75	UEL315D1W3	75	160	100	74.6	43	2.5	37.3	62.7	12.7	M16 × 1.5	113
2¹³/₁₆	UEL315-213D1W3	2.8125										
2⁷/₈	UEL315-214D1W3	2.8750	6.2992	3.937	2.9370	1.6929	0.098	1.469	2.469	0.500	5/8-18UNF	4.449
2¹⁵/₁₆	UEL315-215D1W3	2.9375										
3	UEL315-300D1W3	3.0000										
80	UEL316D1W3	80	170	106.4	81	45	2.5	40.5	65.9	12.7	M16 × 1.5	119
3¹/₁₆	UEL316-301D1W3	3.0625										
3¹/₈	UEL316-302D1W3	3.1250	6.6929	4.189	3.1890	1.7717	0.098	1.594	2.594	0.500	5/8-18UNF	4.685
3³/₁₆	UEL316-303D1W3	3.1875										
85	UEL317D1W3	85	180	109.5	84.1	47	3	42.05	67.45	12.7	M16 × 1.5	127
3¹/₄	UEL317-304D1W3	3.2500										
3⁵/₁₆	UEL317-305D1W3	3.3125	7.0866	4.311	3.3110	1.8504	0.118	1.656	2.656	0.500	5/8-18UNF	5.000
3⁷/₁₆	UEL317-307D1W3	3.4375										
90	UEL318D1W3	90	190	115.9	87.3	49	3	43.65	72.25	14.3	M20 × 1.5	133
3⁷/₁₆	UEL318-307D1W3	3.4375	7.4803	4.563	3.4370	1.9291	0.118	1.719	2.844	0.563	3/4-16UNF	5.236
3¹/₂	UEL318-308D1W3	3.5000										
95	UEL319D1W3	95	200	122.3	93.7	51	3	38.9	83.4	14.3	M20 × 1.5	140
3⁵/₈	UEL319-310D1W3	3.6250										
3¹¹/₁₆	UEL319-311D1W3	3.6875	7.8740	4.815	3.6890	2.0079	0.118	1.531	3.283	0.563	3/4-16UNF	5.512
3³/₄	UEL319-312D1W3	3.7500										

Remarks: 1) For inch series bearings, the *f*₀ factor for calculating equivalent radial load is the same as the metric series.

Nominal dimensions		Basic load ratings		Factor ¹⁾	Mass
mm	inch	N dynamic <i>C_r</i>	lbf static <i>C_{0r}</i>	<i>f₀</i>	kg lb
<i>B₅</i>	<i>F</i>				
23.9	9.0	82 000	52 000	13.2	2.94 6.80
0.941	0.354	18 400	11 700		6.65 6.48 6.19
27	10.1	92 500	60 000	13.2	3.67 8.49
1.063	0.398	20 800	13 400		8.27
30.2	10.5	104 000	68 000	13.2	4.40 10.4
1.189	0.413	23 400	15 300		10.2 9.96
31.8	11.0	113 000	77 000	13.2	5.34 13.2
1.252	0.433	25 500	17 400		12.9 12.7 12.5
31.8	11.4	123 000	86 500	13.3	6.70 14.9
1.252	0.449	27 600	19 500		14.8 14.6
31.8	12.0	133 000	97 000	13.3	8.00 18.0
1.252	0.472	29 800	21 800		17.7 17.0
36.5	12.3	143 000	107 000	13.3	9.10 20.7
1.437	0.484	32 000	24 100		20.2
36.5	12.8	153 000	119 000	13.3	10.4 23.4
1.437	0.504	34 500	26 600		23.0 22.6

Ball bearings
Eccentric locking collar type

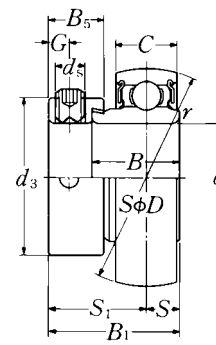


Shaft dia.	Bearing number	Nominal dimensions										
		<i>d</i>	<i>D</i>	<i>B</i> ₁	<i>B</i>	<i>C</i>	<i>r</i> _s min.	<i>S</i>	<i>S</i> ₁	<i>G</i>	<i>d</i> _s	<i>d</i> ₃
mm inch						mm	inch					
100	UEL320D1W3	100	215	128.6	100	55	3	50	78.6	14.3	M20 × 1.5	146
3 ¹³ / ₁₆	UEL320-313D1W3	3.8125										
3 ⁷ / ₈	UEL320-314D1W3	3.8750	8.4646	5.063	3.9370	2.1654	0.118	1.969	3.094	0.563	3/4-16UNF	5.748
3 ¹⁵ / ₁₆	UEL320-315D1W3	3.9375										
4	UEL320-400D1W3	4.0000										
105	UEL321D1W3	105	225	139.7	104.8	57	3	48.4	91.3	17.5	M20 × 1.5	157
110	UEL322D1W3	110	240	141.3	106.4	59	3	49.2	92.1	17.5	M20 × 1.5	168

Remarks: 1) For inch series bearings, the *f*₀ factor for calculating equivalent radial load is the same as the metric series.

Nominal dimensions		Basic load ratings		Factor ¹⁾	Mass
mm	inch	N dynamic C_r	lbf static C_{or}	f_0	kg lb
B_5	F				
36.5	13.5	173 000	141 000		13.0 28.5
1.437	0.531	39 000	31 500	13.2	28.0 27.6 27.0
42.8	13.9	184 000	153 000	13.2	14.6
42.8	13.9	205 000	179 000	13.1	17.2

Ball bearings
Eccentric locking collar type

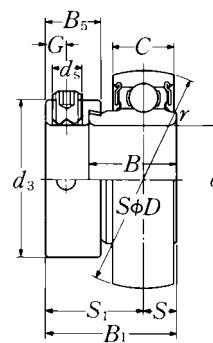


Shaft dia. mm inch	Bearing number ¹⁾	Nominal dimensions											
		d	D	B ₁	B	C	mm r _s min.	inch S	S ₁	G	ds	d ₃	
12 1/2	AEL201W3 AEL201-008W3	12 0.5000	40 1.5748	28.6 1.126	19 0.7480	12 0.4724	0.6 0.024	6.5 0.256	22.1 0.870	4.8 0.189	M6 × 0.75 1/4-28UNF	29 1.142	
15 9/16 5/8	AEL202W3 AEL202-009W3 AEL202-010W3	15 0.5625 0.6250	40 1.5748	28.6 1.126	19 0.7480	12 0.4724	0.6 0.024	6.5 0.256	22.1 0.870	4.8 0.189	M6 × 0.75 1/4-28UNF	29 1.142	
17 11/16	AEL203W3 AEL203-011W3	17 0.6875	40 1.5748	28.6 1.126	19 0.7480	12 0.4724	0.6 0.024	6.5 0.256	22.1 0.870	4.8 0.189	M6 × 0.75 1/4-28UNF	29 1.142	
20 3/4	AEL204W3 AEL204-012W3	20 0.7500	47 1.8504	31 1.220	21.5 0.8465	14 0.5512	1 0.039	7.5 0.295	23.5 0.925	4.8 0.189	M6 × 0.75 1/4-28UNF	33 1.299	
25 13/16 7/8 15/16 1	AEL205W3 AEL205-013W3 AEL205-014W3 AEL205-015W3 AEL205-100W3	25 0.8125 0.8750 0.9375 1.0000	52 2.0472	31 1.220	21.5 0.8465	15 0.5906	1 0.039	7.5 0.295	23.5 0.925	4.8 0.189	M6 × 0.75 1/4-28UNF	38 1.496	
30 1 1/16 1 1/8 1 3/16 1 1/4	AEL206W3 AEL206-101W3 AEL206-102W3 AEL206-103W3 AEL206-104W3	30 1.0625 1.1250 1.1875 1.2500	62 2.4409	35.7 1.406	23.8 0.9370	16 0.6299	1 0.039	9 0.354	26.7 1.051	6 0.236	M8 × 1 5/16-24UNF	44.5 1.752	
35 1 1/4 1 5/16 1 3/8 1 7/16	AEL207W3 AEL207-104W3 AEL207-105W3 AEL207-106W3 AEL207-107W3	35 1.2500 1.3125 1.3750 1.4375	72 2.8346	38.9 1.531	25.4 1.0000	17 0.6693	1.5 0.059	9.5 0.374	29.4 1.157	6.8 0.268	M10 × 1.25 3/8-24UNF	55.5 2.185	
40 1 1/2 1 9/16	AEL208W3 AEL208-108W3 AEL208-109W3	40 1.5000 1.5625	80 3.1496	43.7 1.720	30.2 1.1890	18 0.7087	1.5 0.059	11 0.433	32.7 1.287	6.8 0.268	M10 × 1.25 3/8-24UNF	60 2.362	
45 1 5/8 1 11/16 1 3/4	AEL209W3 AEL209-110W3 AEL209-111W3 AEL209-112W3	45 1.6250 1.6875 1.7500	85 3.3465	43.7 1.720	30.2 1.1890	19 0.7480	1.5 0.059	11 0.433	32.7 1.287	6.8 0.268	M10 × 1.25 3/8-24UNF	63.5 2.500	

Remarks: 1) If relubricatable type is needed, please order with suffix "D1".
2) For inch series bearings, the f_0 factor for calculating equivalent radial load is the same as the metric series.

Nominal dimensions		Basic load ratings		Factor ²⁾	Mass
mm	inch	N	lbf		kg
B_5		dynamic C_r	static C_{or}	f_0	lb
13.6		9 600	4 600	12.8	0.12
0.535		2 160	1 030		0.26
13.6		9 600	4 600	12.8	0.11
0.535		2 160	1 030		0.26
					0.24
13.6		9 600	4 600	12.8	0.11
0.535		2 160	1 030		0.23
13.5		12 800	6 650	13.2	0.17
0.531		2 890	1 500		0.35
13.5		14 000	7 850	13.9	0.22
					0.51
0.531		3 150	1 770		0.48
					0.45
					0.42
15.9		19 500	11 300	13.8	0.31
					0.74
0.626		4 400	2 540		0.73
					0.66
					0.61
17.5		25 700	15 300	13.8	0.50
					1.15
0.689		5 750	3 450		1.10
					1.04
					0.98
18.3		29 100	17 800	14.0	0.66
0.720		6 550	4 000		1.41
					1.34
18.3		32 500	20 400	14.1	0.72
					1.79
0.720		7 350	4 600		1.70
					1.61

**Ball bearings
Eccentric locking collar type**

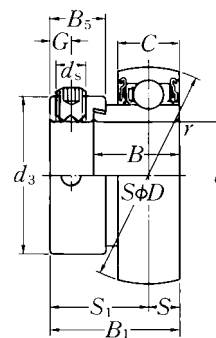


Shaft dia.	Bearing number ¹⁾	Nominal dimensions										
		<i>d</i>	<i>D</i>	<i>B</i> ₁	<i>B</i>	<i>C</i>	<i>r</i> _s min.	<i>S</i>	<i>S</i> ₁	<i>G</i>	<i>d</i> _s	<i>d</i> ₃
mm inch						mm	inch					
50	AEL210W3	50	90	43.7	30.2	20	1.5	11	32.7	6.8	M10 × 1.25	69.5
1¹³/₁₆	AEL210-113W3	1.8125										
1⁷/₈	AEL210-114W3	1.8750	3.5433	1.720	1.1890	0.7874	0.059	0.433	1.287	0.268	3/8-24UNF	2.736
1¹⁵/₁₆	AEL210-115W3	1.9375										
2	AEL210-200W3	2.0000										
55	AEL211W3	55	100	48.4	32.5	21	2	12	36.4	8	M10 × 1.25	76
2	AEL211-200W3	2.0000										
2¹/₁₆	AEL211-201W3	2.0625	3.9370	1.906	1.2795	0.8268	0.079	0.472	1.433	0.315	3/8-24UNF	2.992
2¹/₈	AEL211-202W3	2.1250										
2³/₁₆	AEL211-203W3	2.1875										
60	AEL212W3	60	110	53.1	37.2	22	2	13.5	39.6	8	M10 × 1.25	84
2¹/₄	AEL212-204W3	2.2500										
2⁵/₁₆	AEL212-205W3	2.3125	4.3307	2.091	1.4646	0.8661	0.079	0.531	1.559	0.315	3/8-24UNF	3.307
2³/₈	AEL212-206W3	2.3750										
2⁷/₁₆	AEL212-207W3	2.4375										

Remarks: 1) If relubricatable type is needed, please order with suffix "D1".
2) For inch series bearings, the *f*₀ factor for calculating equivalent radial load is the same as the metric series.

Nominal dimensions		Basic load ratings		Factor ²⁾	Mass
mm	inch	N	lbf		kg
B_5		dynamic	static	f_0	lb
		C_r	C_{or}		
18.3		35 000	23 200		0.72
					1.81
0.720		7 900	5 200	14.4	1.72
					1.63
					1.54
20.7		43 500	29 200		0.98
					2.45
0.815		9 750	6 550	14.3	2.34
					2.23
					2.12
22.3		52 500	36 000		1.31
					3.13
0.878		11 800	8 150	14.3	3.00
					2.87
					2.71

Ball bearings
Eccentric locking collar type



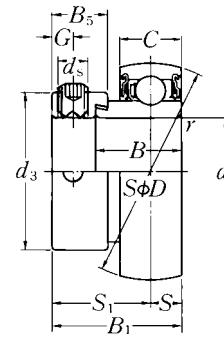
Shaft dia.	Bearing number ¹⁾	Nominal dimensions										
		<i>d</i>	<i>D</i>	<i>B</i> ₁	<i>B</i>	<i>C</i>	<i>r</i> _s mm min.	<i>S</i> inch	<i>S</i> ₁	<i>G</i>	<i>d</i> _s	<i>d</i> ₃
12 1/2	JEL201W3 JEL201-008W3	12 0.5000	40 1.5748	28.6 1.126	19 0.7480	13 0.5118	0.6 0.024	6.5 0.256	22.1 0.870	4.8 0.189	M6 × 0.75 1/4-28UNF	29 1.142
15 9/16 5/8	JEL202W3 JEL202-009W3 JEL202-010W3	15 0.5625 0.6250	40 1.5748	28.6 1.126	19 0.7480	13 0.5118	0.6 0.024	6.5 0.256	22.1 0.870	4.8 0.189	M6 × 0.75 1/4-28UNF	29 1.142
17 1 1/16	JEL203W3 JEL203-011W3	17 0.6875	40 1.5748	28.6 1.126	19 0.7480	13 0.5118	0.6 0.024	6.5 0.256	22.1 0.870	4.8 0.189	M6 × 0.75 1/4-28UNF	29 1.142
20 3/4	JEL204W3 JEL204-012W3	20 0.7500	47 1.8504	31 1.220	21.5 0.8465	15 0.5906	1 0.039	7.5 0.295	23.5 0.925	4.8 0.189	M6 × 0.75 1/4-28UNF	33 1.299
25 1 3/16 7/8 1 5/16 1	JEL205W3 JEL205-013W3 JEL205-014W3 JEL205-015W3 JEL205-100W3	25 0.8125 0.8750 0.9375 1.0000	52 2.0472	31 1.220	21.5 0.8465	15 0.5906	1 0.039	7.5 0.295	23.5 0.925	4.8 0.189	M6 × 0.75 1/4-28UNF	38 1.496
30 1 1/16 1 1/8 1 3/16 1 1/4	JEL206W3 JEL206-101W3 JEL206-102W3 JEL206-103W3 JEL206-104W3	30 1.0625 1.1250 1.1875 1.2500	62 2.4409	35.7 1.406	23.8 0.9370	18 0.7087	1 0.039	9 0.354	26.7 1.051	6 0.236	M8 × 1 5/16-24UNF	44.5 1.752
35 1 1/4 1 5/16 1 3/8 1 7/16	JEL207W3 JEL207-104W3 JEL207-105W3 JEL207-106W3 JEL207-107W3	35 1.2500 1.3125 1.3750 1.4375	72 2.8346	38.9 1.531	25.4 1.0000	19 0.7480	1.5 0.059	9.5 0.374	29.4 1.157	6.8 0.268	M10 × 1.25 3/8-24UNF	55.5 2.185
40 1 1/2 1 9/16	JEL208W3 JEL208-108W3 JEL208-109W3	40 1.5000 1.5625	80 3.1496	43.7 1.720	30.2 1.1890	22 0.8661	1.5 0.059	11 0.433	32.7 1.287	6.8 0.268	M10 × 1.25 3/8-24UNF	60 2.362
45 1 5/8 1 11/16 1 3/4	JEL209W3 JEL209-110W3 JEL209-111W3 JEL209-112W3	45 1.6250 1.6875 1.7500	85 3.3465	43.7 1.720	30.2 1.1890	22 0.8661	1.5 0.059	11 0.433	32.7 1.287	6.8 0.268	M10 × 1.25 3/8-24UNF	63.5 2.500

Remarks: 1) If relubricatable type is needed, please order with suffix "D1".

2) For inch series bearings, the *f*₀ factor for calculating equivalent radial load is the same as the metric series.

Nominal dimensions		Basic load ratings		Factor ²⁾	Mass
mm	inch	N	lbf		kg
B_s		dynamic C_r	static C_{or}	f_0	lb
13.6		9 600	4 600	12.8	0.12
0.535		2 160	1 030		0.25
13.6		9 600	4 600	12.8	0.10
0.535		2 160	1 030		0.24
					0.22
13.6		9 600	4 600	12.8	0.09
0.535		2 160	1 030		0.20
13.5		12 800	6 650	13.2	0.16
0.531		2 890	1 500		0.37
13.5		14 000	7 850	13.9	0.19
					0.50
0.531		3 150	1 770		0.47
					0.44
					0.41
15.9		19 500	11 300	13.8	0.33
					0.78
0.626		4 400	2 540		0.73
					0.69
					0.64
17.5		25 700	15 300	13.8	0.50
					1.22
0.689		5 750	3 450		1.16
					1.11
					1.05
18.3		29 100	17 800	14.0	0.65
0.720		6 550	4 000		1.53
					1.46
18.3		32 500	20 400	14.1	0.76
					1.87
0.720		7 350	4 600		1.79
					1.72

Ball bearings
Eccentric locking collar type



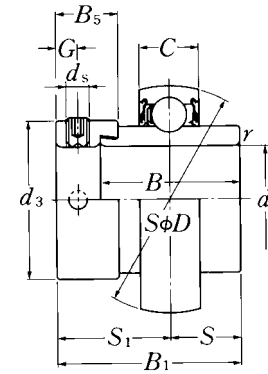
Shaft dia.	Bearing number ¹⁾	Nominal dimensions											
		<i>d</i>	<i>D</i>	<i>B</i> ₁	<i>B</i>	<i>C</i>	<i>r</i> _s min.	<i>S</i>	<i>S</i> ₁	<i>G</i>	<i>d</i> _s	<i>d</i> ₃	
mm inch		mm	inch	mm	inch	mm	inch	mm	inch	mm	inch	mm	inch
50	JEL210W3	50	90	43.7	30.2	22	1.5	11	32.7	6.8	M10X1.25	69.5	
1¹³/₁₆	JEL210-113W3	1.8125											
1⁷/₈	JEL210-114W3	1.8750	3.5433	1.720	1.1890	0.8661	0.059	0.433	1.287	0.268	³ / ₈ -24UNF	2.736	
1¹⁵/₁₆	JEL210-115W3	1.9375											
2	JEL210-200W3	2.0000											
55	JEL211W3	55	100	48.4	32.5	24	2	12	36.4	8	M10X1.25	76	
2	JEL211-200W3	2.0000											
2¹/₁₆	JEL211-201W3	2.0625	3.9370	1.906	1.2795	0.9449	0.079	0.472	1.433	0.315	³ / ₈ -24UNF	2.992	
2¹/₈	JEL211-202W3	2.1250											
2³/₁₆	JEL211-203W3	2.1875											
60	JEL212W3	60	110	53.1	37.2	27	2	13.5	39.6	8	M10X1.25	84	
2¹/₄	JEL212-204W3	2.2500											
2⁵/₁₆	JEL212-205W3	2.3125	4.3307	2.091	1.4646	1.0630	0.079	0.531	1.559	0.315	³ / ₈ -24UNF	3.307	
2³/₈	JEL212-206W3	2.3750											
2⁷/₁₆	JEL212-207W3	2.4375											

Remarks: 1) If relubricatable type is needed, please order with suffix "D1".

2) For inch series bearings, the *f*₀ factor for calculating equivalent radial load is the same as the metric series.

Nominal dimensions		Basic load ratings		Factor ²⁾	Mass
mm	inch	N	lbf		kg
B_s		dynamic C_r	static C_{or}	f_0	lb
18.3		35 000	23 200		0.84
					2.09
0.720		7 900	5 200	14.4	2.01
					1.92
					1.81
20.7		43 500	29 200		1.13
					2.78
0.815		9 750	6 550	14.3	2.67
					2.56
					2.45
22.3		52 500	36 000		1.48
					3.51
0.878		11 800	8 150	14.3	3.37
					3.24
					3.09

Ball bearings Eccentric locking collar type



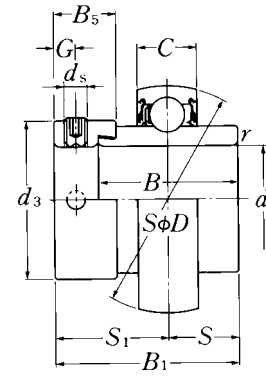
Shaft dia.	Bearing number ¹⁾	Nominal dimensions										
		<i>d</i>	<i>D</i>	<i>B</i> ₁	<i>B</i>	<i>C</i>	<i>r</i> _s min.	<i>S</i>	<i>S</i> ₁	<i>G</i>	<i>d</i> _s	<i>d</i> ₃
mm inch						mm	inch					
20 $\frac{3}{4}$	REL204W3 REL204-012W3	20 0.7500	47 1.8504	43.7 1.720	34.2 1.3465	15 0.5906	1 0.039	17.1 0.673	26.6 1.047	4.8 0.189	M6 × 0.75 $\frac{1}{4}$ -28UNF	33.0 1.299
25 $\frac{13}{16}$ $\frac{7}{8}$ $\frac{15}{16}$ 1	REL205W3 REL205-013W3 REL205-014W3 REL205-015W3 REL205-100W3	25 0.8125 0.8750 0.9375 1.0000	52 2.0472	44.4 1.748	34.9 1.3740	15 0.5906	1 0.039	17.45 0.687	26.9 1.059	4.8 0.189	M6 × 0.75 $\frac{1}{4}$ -28UNF	38.0 1.496
30 $\frac{11}{16}$ $\frac{1}{8}$ $\frac{3}{16}$ $\frac{1}{4}$	REL206W3 REL206-101W3 REL206-102W3 REL206-103W3 REL206-104W3	30 1.0625 1.1250 1.1875 1.2500	62 2.4409	48.4 1.906	36.5 1.4370	18 0.7087	1 0.039	18.25 0.719	30.1 1.185	6 0.236	M8 × 1 $\frac{5}{16}$ -24UNF	44.5 1.752
35 $\frac{1}{4}$ $\frac{5}{16}$ $\frac{3}{8}$ $\frac{7}{16}$	REL207W3 REL207-104W3 REL207-105W3 REL207-106W3 REL207-107W3	35 1.2500 1.3125 1.3750 1.4375	72 2.8346	51.1 2.012	37.6 1.4803	19 0.7480	1.5 0.059	18.8 0.740	32.3 1.272	6.8 0.268	M10 × 1.25 $\frac{3}{8}$ -24UNF	55.5 2.185
40 $\frac{1}{2}$ $\frac{9}{16}$	REL208W3 REL208-108W3 REL208-109W3	40 1.5000 1.5625	80 3.1496	56.3 2.217	42.8 1.6850	22 0.8661	1.5 0.059	21.4 0.843	34.9 1.374	6.8 0.268	M10 × 1.25 $\frac{3}{8}$ -24UNF	60.0 2.362
45 $\frac{5}{8}$ $\frac{11}{16}$ $\frac{3}{4}$	REL209W3 REL209-110W3 REL209-111W3 REL209-112W3	45 1.6250 1.6875 1.7500	85 3.3465	56.3 2.217	42.8 1.6850	22 0.8661	1.5 0.059	21.4 0.843	34.9 1.374	6.8 0.268	M10 × 1.25 $\frac{3}{8}$ -24UNF	63.5 2.500
50 $\frac{13}{16}$ $\frac{7}{8}$ $\frac{15}{16}$ 2	REL210W3 REL210-113W3 REL210-114W3 REL210-115W3 REL210-200W3	50 1.8125 1.8750 1.9375 2.0000	90 3.5433	62.7 2.469	49.2 1.9370	22 0.8661	1.5 0.059	24.6 0.969	38.1 1.500	6.8 0.268	M10 × 1.25 $\frac{3}{8}$ -24UNF	69.5 2.736

Remarks: 1) If relubricatable type is needed, please order with suffix "D1".

2) For inch series bearings, the f_0 factor for calculating equivalent radial load is the same as the metric series.

Nominal dimensions		Basic load ratings		Factor ²⁾	Mass
mm	inch	N	lbf		kg
B_s		dynamic C_r	static C_{or}	f_0	lb
13.5		12 800	6 650	13.2	0.22
0.531		2 890	1 500		0.43
13.5		14 000	7 850	13.9	0.26
					0.59
0.531		3 150	1 770		0.56
					0.53
					0.49
15.9		19 500	11 300	13.8	0.39
					0.92
0.626		4 400	2 540		0.87
					0.82
					0.78
17.5		25 700	15 300	13.8	0.59
					1.41
0.689		5 750	3 450		1.36
					1.31
					1.24
18.3		29 100	17 800	14.0	0.76
					1.88
0.720		6 550	4 000		1.80
18.3		32 500	20 400	14.1	0.78
					2.01
0.720		7 350	4 600		1.93
					1.84
18.3		35 000	23 200	14.4	0.96
					2.42
					2.32
0.720		7 900	5 200		2.21
					2.05

Ball bearings
Eccentric locking collar type



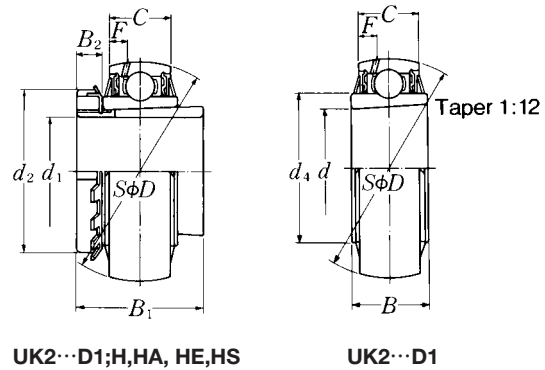
Shaft dia.	Bearing number ¹⁾	Nominal dimensions											
		<i>d</i>	<i>D</i>	<i>B</i> ₁	<i>B</i>	<i>C</i>	<i>r</i> _s min.	<i>S</i>	<i>S</i> ₁	<i>G</i>	<i>d</i> _s	<i>d</i> ₃	
mm inch						mm	inch						
55	REL211W3	55	100	71.4	55.5	24	2	27.75	43.6	8	M10 × 1.25	76	
2	REL211-200W3	2.0000											
2¹/₁₆	REL211-201W3	2.0625	3.9370	2.811	2.1850	0.9449	0.079	1.093	1.717	0.315	3/8-24UNF	2.992	
2¹/₈	REL211-202W3	2.1250											
2³/₁₆	REL211-203W3	2.1875											
60	REL212W3	60	110	77.8	61.9	27	2	30.95	46.8	8	M10 × 1.25	84	
2¹/₄	REL212-204W3	2.2500											
2⁵/₁₆	REL212-205W3	2.3125	4.3307	3.063	2.4370	1.0630	0.079	1.219	1.843	0.315	3/8-24UNF	3.307	
2³/₈	REL212-206W3	2.3750											
2⁷/₁₆	REL212-207W3	2.4375											

Remarks: 1) If relubricatable type is needed, please order with suffix "D1".

2) For inch series bearings, the f_0 factor for calculating equivalent radial load is the same as the metric series.

Nominal dimensions		Basic load ratings		Factor ²⁾	Mass	
mm	inch	N	lbf		kg	lb
B_s		dynamic C_r	static C_{or}	f_0		
20.7		43 500	29 200		1.28	3.21
0.815		9 750	6 550	14.3	3.05	2.95
					2.83	
22.3		52 500	36 000		1.83	4.29
0.878		11 800	8 150	14.3	4.13	3.96
					3.79	

**Ball bearings
Adapter type**

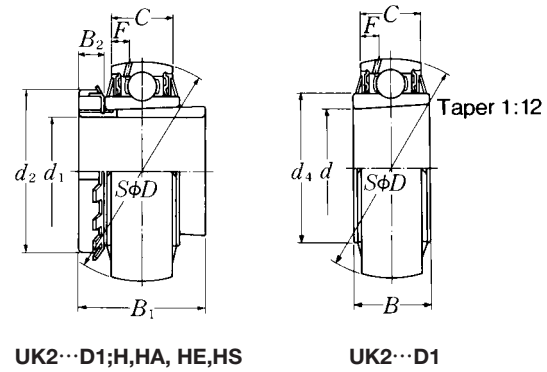


Shaft dia. mm inch	Bearing number ¹⁾²⁾	Nominal dimensions									
		mm					inch				
		<i>d</i>	<i>D</i>	<i>B</i>	<i>C</i>	<i>d</i> ₄	<i>d</i> ₁	<i>B</i> ₁	<i>B</i> ₂	<i>d</i> ₂	<i>F</i>
20 3/4	UK205D1;H2305X UK205D1;HE2305	25 0.9843	52 2.0472	23 0.9055	17 0.6693	33.9 1.335	20 3/4	35 1.378	8 0.315	38 1.496	4.5 0.177
25 7/8 1	UK206D1;H2306X UK206D1;HS2306 UK206D1;HE2306X	30 1.1811	62 2.4409	26 1.0236	19 0.7480	40.8 1.606	25 7/8 1	38 1.496	8 0.315	45 1.772	4.6 0.181
30 1 1/8	UK207D1;H2307X UK207D1;HS2307	35 1.3780	72 2.8346	29 1.1417	20 0.7874	46.8 1.843	30 1 1/8	43 1.693	9 0.354	52 2.047	4.6 0.181
35 1 1/4 1 3/8	UK208D1;H2308X UK208D1;HE2308X UK208D1;HS2308X	40 1.5748	80 3.1496	31 1.2205	21 0.8268	53 2.087	35 1 1/4 1 3/8	46 1.811	10 0.394	58 2.283	4.5 0.177
40 1 7/16 1 1/2 1 5/8	UK209D1;H2309X UK209D1;HA2309 UK209D1;HE2309X UK209D1;HS2309X	45 1.7717	85 3.3465	31 1.2205	22 0.8661	57.5 2.264	40 1 7/16 1 1/2 1 5/8	50 1.969	11 0.433	65 2.559	4.9 0.193
45 1 5/8 1 11/16 1 3/4	UK210D1;H2310X UK210D1;HS2310 UK210D1;HA2310 UK210D1;HE2310X	50 1.9685	90 3.5433	32 1.2598	24 0.9449	62.4 2.457	45 1 5/8 1 11/16 1 3/4	55 2.165	12 0.472	70 2.756	5.9 0.232
50 1 7/8 1 15/16 2	UK211D1;H2311X UK211D1;HS2311 UK211D1;HA2311 UK211D1;HE2311XY	55 2.1654	100 3.9370	35 1.3780	25 0.9843	69 2.717	50 1 7/8 1 15/16 2	59 2.323	12 0.472	75 2.953	6.0 0.236
55 2 1/8	UK212D1;H2312X UK212D1;HS2312	60 2.3622	110 4.3307	38 1.4961	27 1.0630	77 3.031	55 2 1/8	62 2.441	13 0.512	80 3.150	6.2 0.244
60 2 3/16 2 1/4 2 3/8	UK213D1;H2313X UK213D1;HA2313 UK213D1;HE2313X UK213D1;HS2313X	65 2.5591	120 4.7244	40 1.5748	32 1.2598	82.5 3.248	60 2 3/16 2 1/4 2 3/8	65 2.559	14 0.551	85 3.346	8.7 0.343

Remarks: 1) Adapter number with suffix "X" means a narrow slot type adapter sleeve. In this case the lock washer with the straight inner prong should be used.
 2) For HE2311XY, screw thread pitch different from the standard is applied, because of the thin thread section of sleeve. To distinguish it, a suffix "Y" is added.
 3) For inch series bearings, the *f*₀ factor for calculating equivalent radial load is the same as the metric series.

Basic load ratings		Factor ³⁾ f_0	Mass	
N dynamic C_r	lbf static C_{or}		kg	lb
14 000	7 850	13.9	0.23	
3 150	1 770		0.57	
19 500	11 300	13.8	0.36	
4 400	2 540		0.86	0.78
25 700	15 300	13.8	0.55	
5 750	3 450		1.30	
29 100	17 800	14.0	0.74	
6 550	4 000		1.77	1.63
32 500	20 400	14.1	0.80	
7 350	4 600		2.01	1.93
			1.76	
35 000	23 200	14.4	0.94	
7 900	5 200		2.38	2.28
			2.18	
43 500	29 200	14.3	1.22	
9 750	6 550		2.96	2.84
			2.70	
52 500	36 000	14.3	1.54	
11 800	8 150		3.60	
57 500	40 000	14.4	2.00	
12 900	9 000		4.86	4.70
			4.38	

Ball bearings Adapter type



Shaft dia.	Bearing number ¹⁾²⁾	Nominal dimensions									
		mm					inch				
		<i>d</i>	<i>D</i>	<i>B</i>	<i>C</i>	<i>d</i> ₄	<i>d</i> ₁	<i>B</i> ₁	<i>B</i> ₂	<i>d</i> ₂	<i>F</i>
65	UK215D1;H2315X	75	130	44	34	93	65	73	15	98	9.0
$2\frac{7}{16}$	UK215D1;HA2315	2.9528	5.1181	1.7323	1.3386	3.661	$2\frac{7}{16}$	2.874	0.591	3.858	0.354
$2\frac{1}{2}$	UK215D1;HE2315X						$2\frac{1}{2}$				
70	UK216D1;H2316X	80	140	45	35	98.1	70	78	17	105	9.5
$2\frac{11}{16}$	UK216D1;HA2316	3.1496	5.5118	1.7717	1.3780	3.862	$2\frac{11}{16}$	3.071	0.669	4.134	0.374
$2\frac{3}{4}$	UK216D1;HE2316X						$2\frac{3}{4}$				
75	UK217D1;H2317X	85	150	46	36	106.4	75	82	18	110	10.1
$2\frac{15}{16}$	UK217D1;HA2317X	3.3465	5.9055	1.8110	1.4173	4.189	$2\frac{15}{16}$	3.228	0.709	4.331	0.398
3	UK217D1;HE2317X						3				
80	UK218D1;H2318X	90	160	47	37	111.6	80	86	18	120	9.8
$3\frac{3}{16}$	UK218D1;HA2318X	3.5433	6.2992	1.8504	1.4567	4.394	$3\frac{3}{16}$	3.386	0.709	4.724	0.386

Remarks: 1) Adapter number with suffix "X" means a narrow slot type adapter sleeve.

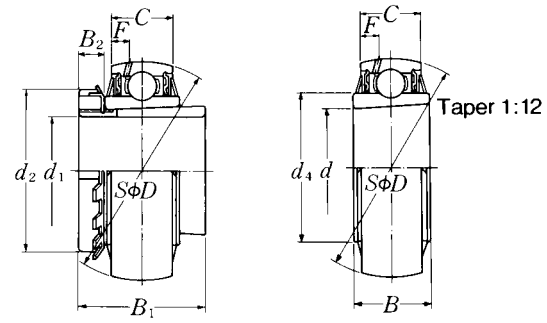
In this case the lock washer with the straight inner prong should be used.

2) For HE2311XY, screw thread pitch different from the standard is applied, because of the thin thread section of sleeve. To distinguish it, a suffix "Y" is added.

3) For inch series bearings, the f_0 factor for calculating equivalent radial load is the same as the metric series.

Basic load ratings		Factor ³⁾ f_0	Mass	
N dynamic C_r	lbf static C_{or}		kg	lb
66 000	49 500	14.7	2.56	6.04
14 900	11 100		5.84	
72 500	53 000	14.6	3.23	7.38
16 300	11 900		7.14	
83 500	64 000	14.7	3.93	8.73
18 700	14 300		8.46	
96 000	71 500	14.5	4.51	11.0
21 600	16 100			

**Ball bearings
Adapter type**



UK3...D1;H, HA, HE, HS

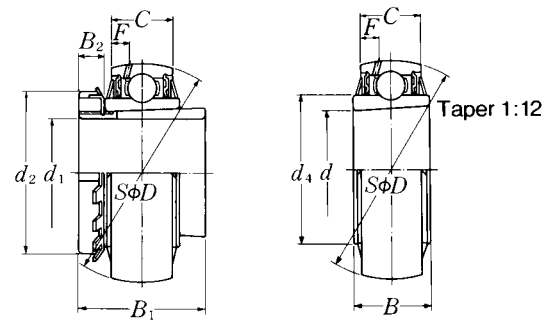
UK3...D1

Shaft dia. mm inch	Bearing number ¹⁾²⁾	Nominal dimensions									
		mm					inch				
		<i>d</i>	<i>D</i>	<i>B</i>	<i>C</i>	<i>d</i> ₄	<i>d</i> ₁	<i>B</i> ₁	<i>B</i> ₂	<i>d</i> ₂	<i>F</i>
20 3/4	UK305D1;H2305X UK305D1;HE2305	25 0.9843	62 2.4409	26 1.0236	20 0.7874	36.8 1.449	20 3/4	35 1.378	8 0.315	38 1.496	5.0 0.197
25 7/8 1	UK306D1;H2306X UK306D1;HS2306 UK306D1;HE2306X	30 1.1811	72 2.8346	29 1.1417	23 0.9055	44.9 1.768	25 7/8 1	38 1.496	8 0.315	45 1.772	5.9 0.232
30 1 1/8	UK307D1;H2307X UK307D1;HS2307	35 1.3780	80 3.1496	33 1.2992	25 0.9843	49.4 1.945	30 1 1/8	43 1.693	9 0.354	52 2.047	6.8 0.268
35 1 1/4 1 3/8	UK308D1;H2308X UK308D1;HE2308X UK308D1;HS2308X	40 1.5748	90 3.5433	34 1.3386	27 1.0630	56 2.205	35 1 1/4 1 3/8	46 1.811	10 0.394	58 2.283	7.4 0.291
40 1 7/16 1 1/2 1 5/8	UK309D1;H2309X UK309D1;HA2309 UK309D1;HE2309X UK309D1;HS2309X	45 1.7717	100 3.9370	37 1.4567	29 1.1417	63.5 2.500	40 1 7/16 1 1/2 1 5/8	50 1.969	11 0.433	65 2.559	7.4 0.291
45 1 5/8 1 11/16 1 3/4	UK310D1;H2310X UK310D1;HS2310 UK310D1;HA2310 UK310D1;HE2310X	50 1.9685	110 4.3307	41 1.6142	32 1.2598	70.6 2.780	45 1 5/8 1 11/16 1 3/4	55 2.165	12 0.472	70 2.756	8.1 0.319
50 1 7/8 1 15/16 2	UK311D1;H2311X UK311D1;HS2311 UK311D1;HA2311 UK311D1;HE2311XY	55 2.1654	120 4.7244	44 1.7323	34 1.3386	76.6 3.016	50 1 7/8 1 15/16 2	59 2.323	12 0.472	75 2.953	8.5 0.335
55 2 1/8	UK312D1;H2312X UK312D1;HS2312	60 2.3622	130 5.1181	47 1.8504	36 1.4173	82.7 3.256	55 2 1/8	62 2.441	13 0.512	80 3.150	9.0 0.354
60 2 3/16 2 1/4 2 3/8	UK313D1;H2313X UK313D1;HA2313 UK313D1;HE2313X UK313D1;HS2313X	65 2.5591	140 5.5118	49 1.9291	39 1.5354	88.2 3.472	60 2 3/16 2 1/4 2 3/8	65 2.559	14 0.551	85 3.346	10.1 0.398

Remarks: 1) Adapter number with suffix "X" means a narrow slot type adapter sleeve. In this case the lock washer with the straight inner prong should be used.
 2) For HE2311XY, screw thread pitch different from the standard is applied, because of the thin thread section of sleeve. To distinguish it, a suffix "Y" is added.
 3) For inch series bearings, the f_0 factor for calculating equivalent radial load is the same as the metric series.

Basic load ratings		Factor ³⁾ f_0	Mass	
N dynamic C_r	lbf static C_{or}		kg	lb
21 200	10 900	12.6	0.36	
4 750	2 460		0.81	
26 700	15 000	13.3	0.59	
6 000	3 400		1.37	1.29
33 500	19 100	13.1	0.75	
7 500	4 300		1.70	
40 500	24 000	13.2	1.00	
9 150	5 400		2.38	2.25
53 000	32 000	13.1	1.28	
11 900	7 200		3.22	3.14
			2.97	
62 000	38 500	13.2	1.72	
13 900	8 600		3.95	3.85
			3.74	
71 500	45 000	13.2	2.06	
16 100	10 100		4.73	4.60
			4.46	
82 000	52 000	13.2	2.58	
18 400	11 700		5.67	
92 500	60 000	13.2	3.08	
20 800	13 400		7.24	7.08
			6.76	

Ball bearings Adapter type



UK3...D1;H, HA, HE, HS

UK3...D1

Shaft dia. mm inch	Bearing number ^{1) 2)}	Nominal dimensions									
		mm					inch				
		<i>d</i>	<i>D</i>	<i>B</i>	<i>C</i>	<i>d</i> ₄	<i>d</i> ₁	<i>B</i> ₁	<i>B</i> ₂	<i>d</i> ₂	<i>F</i>
65 2 ⁷ / ₁₆ 2 ¹ / ₂	UK315D1;H2315X UK315D1;HA2315 UK315D1;HE2315X	75 2.9528	160 6.2992	55 2.1654	43 1.6929	101.3 3.988	65 2 ⁷ / ₁₆ 2 ¹ / ₂	73 2.874	15 0.591	98 3.858	11.0 0.433
70 2 ¹¹ / ₁₆ 2 ³ / ₄	UK316D1;H2316X UK316D1;HA2316 UK316D1;HE2316X	80 3.1496	170 6.6929	58 2.2835	45 1.7717	107.9 4.248	70 2 ¹¹ / ₁₆ 2 ³ / ₄	78 3.071	17 0.669	105 4.134	11.4 0.449
75 2 ¹⁵ / ₁₆ 3	UK317D1;H2317X UK317D1;HA2317X UK317D1;HE2317X	85 3.3465	180 7.0866	60 2.3622	47 1.8504	114.4 4.504	75 2 ¹⁵ / ₁₆ 3	82 3.228	18 0.709	110 4.331	12.0 0.472
80 3 ³ / ₁₆	UK318D1;H2318X UK318D1;HA2318X	90 3.5433	190 7.4803	64 2.5197	49 1.9291	120.9 4.760	80 3 ³ / ₁₆	86 3.386	18 0.709	120 4.724	12.3 0.484
85 3 ¹ / ₄	UK319D1;H2319X UK319D1;HE2319X	95 3.7402	200 7.8740	67 2.6378	51 2.0079	127.5 5.020	85 3 ¹ / ₄	90 3.543	19 0.748	125 4.921	12.8 0.504
90 3 ⁷ / ₁₆ 3 ¹ / ₂	UK320D1;H2320X UK320D1;HA2320 UK320D1;HE2320X	100 3.9370	215 8.4646	73 2.8740	55 2.1654	135.6 5.339	90 3 ⁷ / ₁₆ 3 ¹ / ₂	97 3.819	20 0.787	130 5.118	13.5 0.531
100	UK322D1;H2322X	110	240	80	59	151.7	100	105	21	145	13.9
110	UK324D1;H2324X	120	260	86	63	165.2	110	112	22	155	16.0
115	UK326D1;H2326	130	280	90	67	178.3	115	121	23	165	16.9
125	UK328D1;H2328	140	300	95	71	190.4	125	131	24	180	17.7

Remarks: 1) Adapter number with suffix "X" means a narrow slot type adapter sleeve.

In this case the lock washer with the straight inner prong should be used.

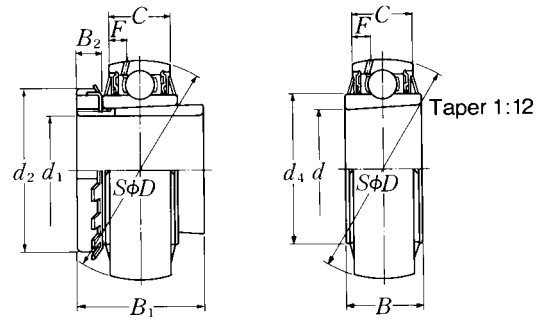
2) For HE2311XY, screw thread pitch different from the standard is applied, because of the thin thread section of sleeve.

To distinguish it, a suffix "Y" is added.

3) For inch series bearings, the f_0 factor for calculating equivalent radial load is the same as the metric series.

Basic load ratings		Factor ³⁾ f_0	Mass	
N dynamic C_r	lbf static C_{or}		kg	lb
113 000	77 000	13.2	4.75	11.1
25 500	17 400		10.9	
123 000	86 500	13.3	5.75	12.9
27 600	19 500		12.7	
133 000	97 000	13.3	6.72	14.9
29 800	21 800		14.6	
143 000	107 000	13.3	7.75	17.2
32 000	24 100			
153 000	119 000	13.3	9.02	20.4
34 500	26 600			
173 000	141 000	13.2	11.0	24.7
39 000	31 500		25.1	
205 000	179 000	13.1	14.9	
207 000	185 000	13.5	18.0	
229 000	214 000	13.6	23.3	
253 000	246 000	13.6	28.6	

**Ball bearings
Adapter type**



UKX...D1;H, HA, HE, HS

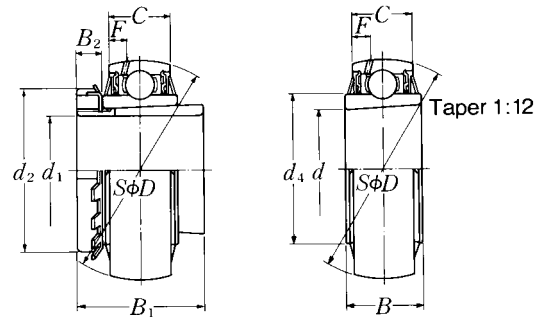
UKX...D1

Shaft dia. mm inch	Bearing number ¹⁾²⁾	Nominal dimensions									
		mm					inch				
		d	D	B	C	d ₄	d ₁	B ₁	B ₂	d ₂	F
20 3/4	UKX05D1;H2305X UKX05D1;HE2305	25 0.9843	62 2.4409	26 1.0236	19 0.7480	40.8 1.606	20 3/4	35 1.378	8 0.315	38 1.496	4.6 0.181
25 7/8 1	UKX06D1;H2306X UKX06D1;HS2306 UKX06D1;HE2306X	30 1.1811	72 2.8346	29 1.1417	20 0.7874	46.8 1.843	25 7/8 1	38 1.496	8 0.315	45 1.772	4.6 0.181
30 1 1/8	UKX07D1;H2307X UKX07D1;HS2307	35 1.3780	80 3.1496	31 1.2205	21 0.8268	53 2.087	30 1 1/8	43 1.693	9 0.354	52 2.047	4.5 0.177
35 1 1/4 1 3/8	UKX08D1;H2308X UKX08D1;HE2308X UKX08D1;HS2308X	40 1.5748	85 3.3465	31 1.2205	22 0.8661	57.5 2.264	35 1 1/4 1 3/8	46 1.811	10 0.394	58 2.283	4.9 0.193
40 1 7/16 1 1/2 1 5/8	UKX09D1;H2309X UKX09D1;HA2309 UKX09D1;HE2309X UKX09D1;HS2309X	45 1.7717	90 3.5433	32 1.2598	24 0.9449	62.4 2.457	40 1 7/16 1 1/2 1 5/8	50 1.969	11 0.433	65 2.559	5.9 0.232
45 1 5/8 1 11/16 1 3/4	UKX10D1;H2310X UKX10D1;HS2310 UKX10D1;HA2310 UKX10D1;HE2310X	50 1.9685	100 3.9370	35 1.3780	25 0.9843	69 2.717	45 1 5/8 1 11/16 1 3/4	55 2.165	12 0.472	70 2.756	6.0 0.236
50 1 7/8 1 15/16 2	UKX11D1;H2311X UKX11D1;HS2311 UKX11D1;HA2311 UKX11D1;HE2311XY	55 2.1654	110 4.3307	38 1.4961	27 1.0630	77 3.031	50 1 7/8 1 15/16 2	59 2.323	12 0.472	75 2.953	6.2 0.244
55 2 1/8	UKX12D1;H2312X UKX12D1;HS2312	60 2.3622	120 4.7244	40 1.5748	32 1.2598	82.5 3.248	55 2 1/8	62 2.441	13 0.512	80 3.150	8.7 0.343
60 2 3/16 2 1/4 2 3/8	UKX13D1;H2313X UKX13D1;HA2313 UKX13D1;HE2313X UKX13D1;HS2313X	65 2.5591	125 4.9213	42 1.6535	33 1.2992	87 3.425	60 2 3/16 2 1/4 2 3/8	65 2.559	14 0.551	85 3.346	8.8 0.346

Remarks: 1) Adapter number with suffix "X" means a narrow slot type adapter sleeve. In this case the lock washer with the straight inner prong should be used.
 2) For HE2311XY, screw thread pitch different from the standard is applied, because of the thin thread section of sleeve. To distinguish it, a suffix "Y" is added.
 3) For inch series bearings, the f_0 factor for calculating equivalent radial load is the same as the metric series.

Basic load ratings		Factor ³⁾	Mass	
N dynamic C_r	lbf static C_{or}	f_0	kg	lb
19 500	11 300	13.8	0.38	
4 400	2 540		0.85	
25 700	15 300	13.8	0.53	
5 750	3 450		1.24	1.16
29 100	17 800	14.0	0.75	
6 550	4 000		1.70	
32 500	20 400	14.1	0.85	
7 350	4 600		2.01	1.88
35 000	23 200	14.4	0.97	
7 900	5 200		2.32	
			2.24	2.07
43 500	29 200	14.3	1.26	
9 750	6 550		3.09	
			2.99	2.88
52 500	36 000	14.3	1.62	
11 800	8 150		3.84	
			3.72	3.58
57 500	40 000	14.4	2.07	
12 900	9 000		4.66	
62 000	44 000	14.5	2.19	
14 000	9 900		5.28	
			5.12	4.79

**Ball bearings
Adapter type**



UKX...D1;H, HA, HE, HS

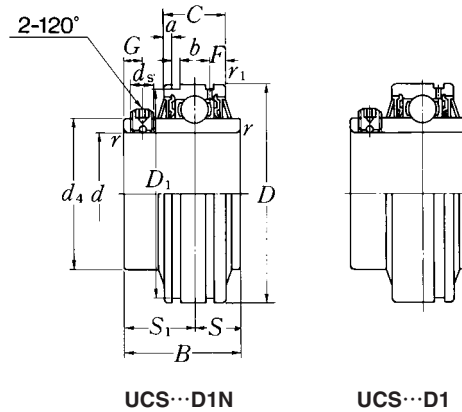
UKX...D1

Shaft dia. mm inch	Bearing number ^{1) 2)}	Nominal dimensions									
		mm					inch				
		<i>d</i>	<i>D</i>	<i>B</i>	<i>C</i>	<i>d</i> ₄	<i>d</i> ₁	<i>B</i> ₁	<i>B</i> ₂	<i>d</i> ₂	<i>F</i>
65 2 ⁷ / ₁₆ 2 ¹ / ₂	UKX15D1;H2315X UKX15D1;HA2315 UKX15D1;HE2315X	75	140	45	35	98.1	65	73	15	98	9.5
		2.9528	5.5118	1.7717	1.3780	3.862	2 ⁷ / ₁₆ 2 ¹ / ₂	2.874	0.591	3.858	0.374
70 2 ¹¹ / ₁₆ 2 ³ / ₄	UKX16D1;H2316X UKX16D1;HA2316 UKX16D1;HE2316X	80	150	46	36	106.4	70	78	17	105	10.1
		3.1496	5.9055	1.8110	1.4173	4.189	2 ¹¹ / ₁₆ 2 ³ / ₄	3.071	0.669	4.134	0.398
75 2 ¹⁵ / ₁₆ 3	UKX17D1;H2317X UKX17D1;HA2317X UKX17D1;HE2317X	85	160	47	37	111.6	75	82	18	110	9.8
		3.3465	6.2992	1.8504	1.4567	4.394	2 ¹⁵ / ₁₆ 3	3.228	0.709	4.331	0.386
80 3 ³ / ₁₆	UKX18D1;H2318X UKX18D1;HA2318X	90	170	49	39	118.2	80	86	18	120	10.5
		3.5433	6.6929	1.9291	1.5354	4.654	3 ³ / ₁₆	3.386	0.709	4.724	0.413
90	UKX20D1;H2320X	100	190	57	44	131.3	90	97	20	130	11.3

- Remarks: 1) Adapter number with suffix "X" means a narrow slot type adapter sleeve.
In this case the lock washer with the straight inner prong should be used.
2) For HE2311XY, screw thread pitch different from the standard is applied, because of the thin thread section of sleeve.
To distinguish it, a suffix "Y" is added.
3) For inch series bearings, the *f*₀ factor for calculating equivalent radial load is the same as the metric series.

Basic load ratings		Factor ³⁾ f_0	Mass	
N dynamic C_r	lbf static C_{or}		kg	lb
72 500	53 000	14.6	3.25	7.47
16 300	11 900		7.27	
83 500	64 000	14.7	3.87	8.79
18 700	14 300		8.56	
96 000	71 500	14.5	4.53	10.6
21 600	16 100		10.3	
109 000	82 000	14.4	5.17	11.2
24 500	18 400			
133 000	105 000	14.4	7.39	

Ball bearings
Set screw type



UCS...D1N

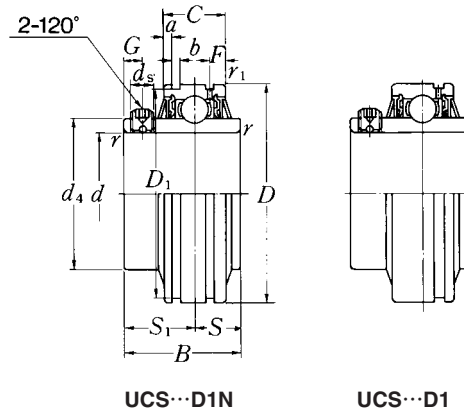
UCS...D1

Shaft dia. mm inch	Bearing number ¹⁾	Nominal dimensions									
		<i>d</i>	<i>D</i>	<i>B</i>	<i>C</i>	mm <i>r_s</i> min.	inch <i>r_{1s}</i> min.	<i>S</i>	<i>S</i> ₁	<i>G</i>	<i>d_s</i>
12 1/2	UCS201LD1N	12	47	31	17	0.6	0.6	12.7	18.3	4.5	M5 × 0.8
	UCS201-008LD1N	0.5000	1.8504	1.2205	0.6693	0.024	0.024	0.500	0.720	0.177	No.10-32UNF
15 9/16 5/8	UCS202LD1N	15	47	31	17	0.6	0.6	12.7	18.3	4.5	M5 × 0.8
	UCS202-009LD1N	0.5625	1.8504	1.2205	0.6693	0.024	0.024	0.500	0.720	0.177	No.10-32UNF
	UCS202-010LD1N	0.6250									
17 11/16	UCS203LD1N	17	47	31	17	0.6	0.6	12.7	18.3	4.5	M5 × 0.8
	UCS203-011LD1N	0.6875	1.8504	1.2205	0.6693	0.024	0.024	0.500	0.720	0.177	No.10-32UNF
20 3/4	UCS204LD1N	20	47	31	17	1	0.6	12.7	18.3	4.5	M5 × 0.8
	UCS204-012LD1N	0.7500	1.8504	1.2205	0.6693	0.039	0.024	0.500	0.720	0.177	No.10-32UNF
25 13/16 7/8 15/16 1	UCS205LD1N	25	52	34.1	17	1	0.6	14.3	19.8	5	M5 × 0.8
	UCS205-013LD1N	0.8125									
	UCS205-014LD1N	0.8750	2.0472	1.3425	0.6693	0.039	0.024	0.563	0.780	0.197	No.10-32UNF
	UCS205-015LD1N	0.9375									
30 1 1/16 1 1/8 1 3/16 1 1/4	UCS206LD1N	30	62	38.1	19	1	1	15.9	22.2	5	M6 × 0.75
	UCS206-101LD1N	1.0625									
	UCS206-102LD1N	1.1250	2.4409	1.5000	0.7480	0.039	0.039	0.626	0.874	0.197	1/4-28UNF
	UCS206-103LD1N	1.1875									
35 1 1/4 1 5/16 1 3/8 1 7/16	UCS207LD1N	35	72	42.9	20	1.5	1.5	17.5	25.4	6	M6 × 0.75
	UCS207-104LD1N	1.2500									
	UCS207-105LD1N	1.3125	2.8346	1.6890	0.7874	0.059	0.059	0.689	1.000	0.236	1/4-28UNF
	UCS207-106LD1N	1.3750									
40 1 1/2 1 9/16	UCS208LD1N	40	80	49.2	21	1.5	1.5	19	30.2	8	M8 × 1
	UCS208-108LD1N	1.5000	3.1496	1.9370	0.8268	0.059	0.059	0.748	1.189	0.315	5/16-24UNF
	UCS208-109LD1N	1.5625									
45 1 5/8 1 11/16 1 3/4	UCS209LD1N	45	85	49.2	22	1.5	1.5	19	30.2	8	M8 × 1
	UCS209-110LD1N	1.6250									
	UCS209-111LD1N	1.6875	3.3465	1.9370	0.8661	0.059	0.059	0.748	1.189	0.315	5/16-24UNF
	UCS209-112LD1N	1.7500									

Remarks: 1) These numbers indicate relubricatable type. If maintenance free type is needed, please order without suffix "D1".
2) For inch series bearings, the *f₀* factor for calculating equivalent radial load is the same as the metric series.

Nominal dimensions					Basic load ratings		Factor ²⁾	Mass
d_4	mm D_1	inch a	b	F	N dynamic C_r	lbf static C_{or}	f_0	kg lb
29.6	44.6	3.1	1.5	4	12 800	6 650	13.2	0.21
1.1654	1.756	0.122	0.059	0.157	2 890	1 500		0.46
29.6	44.6	3.1	1.5	4	12 800	6 650	13.2	0.20
1.1654	1.756	0.122	0.059	0.157	2 890	1 500		0.44 0.42
29.6	44.6	3.1	1.5	4	12 800	6 650	13.2	0.18
1.1654	1.756	0.122	0.059	0.157	2 890	1 500		0.39
29.6	44.6	3.1	1.5	4	12 800	6 650	13.2	0.17
1.1654	1.756	0.122	0.059	0.157	2 890	1 500		0.39
33.9	49.73	3.2	1.5	4.1	14 000	7 850	13.9	0.20
1.3346	1.958	0.126	0.059	0.161	3 150	1 770		0.53 0.51 0.46 0.44
40.8	59.61	3.2	2.05	4.2	19 500	11 300	13.8	0.34
1.6063	2.374	0.126	0.081	0.165	4 400	2 540		0.82 0.77 0.73 0.66
46.8	68.81	3.3	2.05	5	25 700	15 300	13.8	0.48
1.8425	2.709	0.130	0.081	0.197	5 750	3 450		1.21 1.15 1.08 1.01
53	76.81	3.4	2.05	5	29 100	17 800	14.0	0.64
2.0866	3.024	0.134	0.081	0.197	6 550	4 000		1.52 1.46
57.5	81.81	3.5	2.05	5.1	32 500	20 400	14.1	0.70
2.2638	3.221	0.138	0.081	0.201	7 350	4 600		1.76 1.68 1.57

Ball bearings
Set screw type

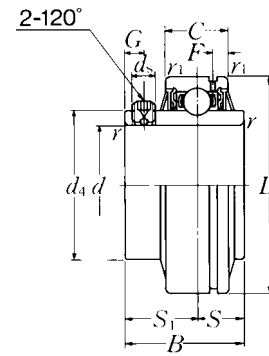


Shaft dia. mm inch	Bearing number ¹⁾	Nominal dimensions									
		<i>d</i>	<i>D</i>	<i>B</i>	<i>C</i>	mm <i>r_s</i> min.	inch <i>r_{1s}</i> min.	<i>S</i>	<i>S</i> ₁	<i>G</i>	<i>d_s</i>
50	UCS210LD1N	50	90	51.6	24	1.5	1.5	19	32.6	9	M8 × 1
1¹³/₁₆	UCS210-113LD1N	1.8125									
1⁷/₈	UCS210-114LD1N	1.8750	3.5433	2.0315	0.9449	0.059	0.059	0.748	1.283	0.354	⁵ / ₁₆ -24UNF
1¹⁵/₁₆	UCS210-115LD1N	1.9375									
2	UCS210-200LD1N	2.0000									
55	UCS211LD1N	55	100	55.6	25	2	2	22.2	33.4	9	M8 × 1
2	UCS211-200LD1N	2.0000									
2¹/₁₆	UCS211-201LD1N	2.0625	3.9370	2.1890	0.9843	0.079	0.079	0.874	1.315	0.354	⁵ / ₁₆ -24UNF
2¹/₈	UCS211-202LD1N	2.1250									
2³/₁₆	UCS211-203LD1N	2.1875									
60	UCS212LD1N	60	110	65.1	27	2	2	25.4	39.7	10	M10 × 1.25
2¹/₄	UCS212-204LD1N	2.2500									
2⁵/₁₆	UCS212-205LD1N	2.3125	4.3307	2.5630	1.0630	0.079	0.079	1.000	1.563	0.394	³ / ₈ -24UNF
2³/₈	UCS212-206LD1N	2.3750									
2⁷/₁₆	UCS212-207LD1N	2.4375									
65	UCS213D1	65	120	65.1	32	2	2	25.4	39.7	10	M10 × 1.25
2¹/₂	UCS213-208D1	2.5000	4.7244	2.5630	1.2598	0.079	0.079	1.000	1.563	0.394	³ / ₈ -24UNF
2⁹/₁₆	UCS213-209D1	2.5625									
70	UCS214D1	70	125	74.6	33	2	2	30.2	44.4	12	M10 × 1.25
75	UCS215D1	75	130	77.8	34	2	2	33.3	44.5	12	M10 × 1.25
80	UCS216D1	80	140	82.6	35	2.5	2.5	33.3	49.3	12	M10 × 1.25
85	UCS217D1	85	150	85.7	36	2.5	2.5	34.1	51.6	12	M12 × 1.5
90	UCS218D1	90	160	96	37	2.5	2.5	39.7	56.3	12	M12 × 1.5

Remarks: 1) These numbers indicate relubricatable type. If maintenance free type is needed, please order without suffix "D1".
2) For inch series bearings, the f_0 factor for calculating equivalent radial load is the same as the metric series.

Nominal dimensions					Basic load ratings		Factor ²⁾	Mass
d_4	mm D_1	inch a	b	F	N dynamic C_r	lbf static C_{or}	f_0	kg lb
62.4	86.79	3.7	2.85	5.6	35 000	23 200		0.78 2.03
2.4567	3.417	0.146	0.112	0.220	7 900	5 200	14.4	1.92 1.81 1.69
69	96.80	4.4	2.85	5.9	43 500	29 200		1.06 2.71
2.7165	3.811	0.173	0.112	0.232	9 750	6 550	14.3	2.60 2.46 2.34
77	106.81	4.4	2.85	6	52 500	36 000		1.48 3.78
3.0315	4.205	0.173	0.112	0.236	11 800	8 150	14.3	3.62 3.45 3.29
82.5	—	—	—	6.8	57 500	40 000		1.88
3.2480	—	—	—	0.268	12 900	9 000	14.4	4.41 4.24
87	—	—	—	7	62 000	44 000	14.5	2.17
93	—	—	—	7	66 000	49 500	14.7	2.43
98.1	—	—	—	7.5	72 500	53 000	14.6	2.89
106.4	—	—	—	7.5	83 500	64 000	14.7	3.47
111.6	—	—	—	7	96 000	71 500	14.5	4.24

Ball bearings Set screw type

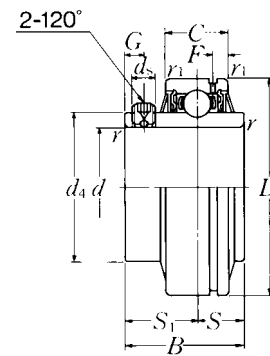


Shaft dia. mm inch	Bearing number ¹⁾	Nominal dimensions									
		<i>d</i>	<i>D</i>	<i>B</i>	<i>C</i>	mm <i>r_s</i> min.	inch <i>r_{1s}</i> min.	<i>S</i>	<i>S₁</i>	<i>G</i>	<i>ds</i>
25 1 ³ / ₁₆ 7/ ₈ 1 ⁵ / ₁₆ 1	UCS305D1	25	62	38	20	1.5	0.6	15	23	6	M6 × 0.75
	UCS305-013D1	0.8125									
	UCS305-014D1	0.8750	2.4409	1.4961	0.7874	0.059	0.024	0.591	0.906	0.236	1/4-28UNF
	UCS305-015D1	0.9375									
UCS305-100D1	1.0000										
30 1 ¹ / ₁₆ 1 ¹ / ₈ 1 ³ / ₁₆	UCS306D1	30	72	43	23	1.5	1	17	26	6	M6 × 0.75
	UCS306-101D1	1.0625									
	UCS306-102D1	1.1250	2.8346	1.6929	0.9055	0.059	0.039	0.669	1.024	0.236	1/4-28UNF
	UCS306-103D1	1.1875									
35 1 ¹ / ₄ 1 ⁵ / ₁₆ 1 ³ / ₈ 1 ⁷ / ₁₆	UCS307D1	35	80	48	25	2	1	19	29	8	M8 × 1
	UCS307-104D1	1.2500									
	UCS307-105D1	1.3125	3.1496	1.8898	0.9843	0.079	0.039	0.748	1.142	0.315	5/16-24UNF
	UCS307-106D1	1.3750									
	UCS307-107D1	1.4375									
40 1 ¹ / ₂ 1 ⁹ / ₁₆	UCS308D1	40	90	52	27	2	1	19	33	10	M10 × 1.25
	UCS308-108D1	1.5000	3.5433	2.0472	1.0630	0.079	0.039	0.748	1.299	0.394	3/8-24UNF
	UCS308-109D1	1.5625									
45 1 ⁵ / ₈ 1 ¹¹ / ₁₆ 1 ³ / ₄	UCS309D1	45	100	57	29	2	1	22	35	10	M10 × 1.25
	UCS309-110D1	1.6250									
	UCS309-111D1	1.6875	3.9370	2.2441	1.1417	0.079	0.039	0.866	1.378	0.394	3/8-24UNF
	UCS309-112D1	1.7500									
50 1 ¹³ / ₁₆ 1 ⁷ / ₈ 1 ¹⁵ / ₁₆	UCS310D1	50	110	61	32	2.5	1.5	22	39	12	M12 × 1.5
	UCS310-113D1	1.8125									
	UCS310-114D1	1.8750	4.3307	2.4016	1.2598	0.098	0.059	0.866	1.535	0.472	1/2-20UNF
	UCS310-115D1	1.9375									
55 2 2 ¹ / ₁₆ 2 ¹ / ₈ 2 ³ / ₁₆	UCS311D1	55	120	66	34	2.5	1.5	25	41	12	M12 × 1.5
	UCS311-200D1	2.0000									
	UCS311-201D1	2.0625	4.7244	2.5984	1.3386	0.098	0.059	0.984	1.614	0.472	1/2-20UNF
	UCS311-202D1	2.1250									
	UCS311-203D1	2.1875									

Remarks: 1) These numbers indicate relubricatable type. If maintenance free type is needed, please order without suffix "D1".
2) For inch series bearings, the f_0 factor for calculating equivalent radial load is the same as the metric series.

Nominal dimensions		Basic load ratings		Factor ²⁾	Mass
mm	inch	N dynamic C_r	lbf static C_{or}	f_0	kg lb
B_5	F				
36.8	4.3	21 200	10 900	12.6	0.37
1.4488	0.169	4 750	2 460		0.94
					0.90
					0.83
					0.81
44.9	5.1	26 700	15 000	13.3	0.58
1.7677	0.201	6 000	3 400		1.39
					1.33
					1.28
49.4	5.3	33 500	19 100	13.1	0.74
1.9449	0.209	7 500	4 300		1.77
					1.70
					1.64
					1.57
56	5.6	40 500	24 000	13.2	1.00
2.2047	0.220	9 150	5 400		2.32
					2.23
63.5	5.8	53 000	32 000	13.1	1.33
2.5000	0.228	11 900	7 200		3.17
					3.09
					2.98
70.6	6.3	62 000	38 500	13.2	1.72
2.7795	0.248	13 900	8 600		4.10
					3.99
					3.85
76.6	6.5	71 500	45 000	13.2	2.15
3.0157	0.256	16 100	10 100		5.14
					4.99
					4.85
					4.68

Ball bearings Set screw type



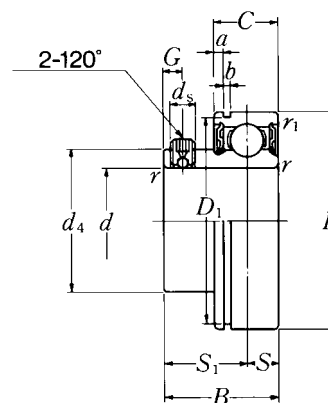
Shaft dia. mm inch	Bearing number ¹⁾	Nominal dimensions									
		<i>d</i>	<i>D</i>	<i>B</i>	<i>C</i>	mm <i>r_s</i> min.	inch <i>r_{1s}</i> min.	<i>S</i>	<i>S</i> ₁	<i>G</i>	<i>ds</i>
60	UCS312D1	60	130	71	36	2.5	1.5	26	45	12	M12 × 1.5
2¼	UCS312-204D1	2.2500									
2⅝	UCS312-205D1	2.3125	5.1181	2.7953	1.4173	0.098	0.059	1.024	1.772	0.472	½-20UNF
2⅜	UCS312-206D1	2.3750									
2⅞	UCS312-207D1	2.4375									
65	UCS313D1	65	140	75	39	2.5	2	30	45	12	M12 × 1.5
2½	UCS313-208D1	2.5000	5.5118	2.9528	1.5354	0.098	0.079	1.181	1.772	0.472	½-20UNF
2⅞	UCS313-209D1	2.5625									
70	UCS314D1	70	150	78	41	2.5	2	33	45	12	M12 × 1.5
2⅝	UCS314-210D1	2.6250									
2⅞	UCS314-211D1	2.6875	5.9055	3.0709	1.6142	0.098	0.079	1.299	1.772	0.472	½-20UNF
2¾	UCS314-212D1	2.7500									
75	UCS315D1	75	160	82	43	2.5	2	32	50	14	M14 × 1.5
2⅞	UCS315-213D1	2.8125									
2⅞	UCS315-214D1	2.8750	6.2992	3.2283	1.6929	0.098	0.079	1.260	1.969	0.551	⅙-18UNF
2⅞	UCS315-215D1	2.9375									
3	UCS315-300D1	3.0000									
80	UCS316D1	80	170	86	45	2.5	2	34	52	14	M14 × 1.5
3⅞	UCS316-301D1	3.0625									
3⅞	UCS316-302D1	3.1250	6.6929	3.3858	1.7717	0.098	0.079	1.339	2.047	0.551	⅙-18UNF
3⅞	UCS316-303D1	3.1875									
85	UCS317D1	85	180	96	47	3	2.5	40	56	16	M16 × 1.5
3¼	UCS317-304D1	3.2500									
3⅞	UCS317-305D1	3.3125	7.0866	3.7795	1.8504	0.118	0.098	1.575	2.205	0.630	⅝-18UNF
3⅞	UCS317-307D1	3.4375									
90	UCS318D1	90	190	96	49	3	2.5	40	56	16	M16 × 1.5
3⅞	UCS318-307D1	3.4375	7.4803	3.7795	1.9291	0.118	0.098	1.575	2.205	0.630	⅝-18UNF
3½	UCS318-308D1	3.5000									

Remarks: 1) These numbers indicate relubricatable type. If maintenance free type is needed, please order without suffix "D1".

2) For inch series bearings, the f_0 factor for calculating equivalent radial load is the same as the metric series.

Nominal dimensions		Basic load ratings		Factor ²⁾	Mass
mm	inch	N dynamic C_r	lbf static C_{or}		kg lb
B_5	F			f_0	
82.7	6.7	82 000	52 000		2.70 6.27
3.2559	0.264	18 400	11 700	13.2	6.10 5.89 5.72
88.2	7.5	92 500	60 000		3.37 7.63
3.4724	0.295	20 800	13 400	13.2	7.41
94.8	7.5	104 000	68 000		4.03 9.37
3.7323	0.295	23 400	15 300	13.2	9.13 8.91
101.3	7.7	113 000	77 000		4.88 11.4
3.9882	0.303	25 500	17 400	13.2	11.1 10.9 10.6
107.9	7.8	123 000	86 500		5.74 13.0
4.2480	0.307	27 600	19 500	13.3	12.7 12.5
114.4	8.2	133 000	97 000		6.88 15.7
4.5039	0.323	29 800	21 800	13.3	15.4 14.7
120.9	8.5	143 000	107 000		7.80 17.8
4.7598	0.335	32 000	24 100	13.3	17.4

Ball bearings
Set screw type

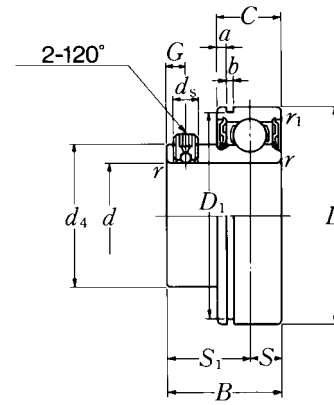


Shaft dia. mm inch	Bearing number ¹⁾	Nominal dimensions										
		d	D	B	C	r_s mm min.	r_{1s} mm min.	inch S	S_1	G	d_s	d_4
12 1/2	ASS201N	12	40	22	12	0.6	0.6	6	16	4.2	M5 × 0.8	24.3
	ASS201-008N	0.5000	1.5748	0.8661	0.4724	0.024	0.024	0.236	0.630	0.165	No.10-32UNF	0.957
15 9/16 5/8	ASS202N	15	40	22	12	0.6	0.6	6	16	4.2	M5 × 0.8	24.3
	ASS202-009N	0.5625	1.5748	0.8661	0.4724	0.024	0.024	0.236	0.630	0.165	No.10-32UNF	0.957
	ASS202-010N	0.6250										
17 11/16	ASS203N	17	40	22	12	0.6	0.6	6	16	4.2	M5 × 0.8	24.3
	ASS203-011N	0.6875	1.5748	0.8661	0.4724	0.024	0.024	0.236	0.630	0.165	No.10-32UNF	0.957
20 3/4	ASS204N	20	47	25	14	1	0.6	7	18	4.2	M5 × 0.8	29.6
	ASS204-012N	0.7500	1.8504	0.9843	0.5512	0.039	0.024	0.276	0.709	0.165	No.10-32UNF	1.165
25 13/16 7/8 15/16 1	ASS205N	25	52	27	15	1	0.6	7.5	19.5	5	M5 × 0.8	33.9
	ASS205-013N	0.8125										
	ASS205-014N	0.8750	2.0472	1.0630	0.5906	0.039	0.024	0.295	0.768	0.197	No.10-32UNF	1.335
	ASS205-015N	0.9375										
30 1 1/16 1 1/8 1 3/16 1 1/4	ASS206N	30	62	29	16	1	0.6	8	21	5	M6 × 0.75	40.8
	ASS206-101N	1.0625										
	ASS206-102N	1.1250	2.4409	1.1417	0.6299	0.039	0.024	0.315	0.827	0.197	1/4-28UNF	1.606
	ASS206-103N	1.1875										
35 1 1/4 1 5/16 1 3/8 1 7/16	ASS207N	35	72	34	17	1.5	0.6	8.5	25.5	6	M6 × 0.75	46.8
	ASS207-104N	1.2500										
	ASS207-105N	1.3125	2.8346	1.3386	0.6693	0.059	0.024	0.335	1.004	0.236	1/4-28UNF	1.843
	ASS207-106N	1.3750										
40 1 1/2 1 9/16	ASS208N	40	80	38	18	1.5	0.6	9	29	8	M8 × 1	53
	ASS208-108N	1.5000	3.1496	1.4961	0.7087	0.059	0.024	0.354	1.142	0.315	5/16-24UNF	2.087
	ASS208-109N	1.5625										

Remarks: 1) If relubricatable type is needed, please order with suffix "D1".
2) For inch series bearings, the f_0 factor for calculating equivalent radial load is the same as the metric series.

Nominal dimensions			Basic load ratings		Factor ²⁾	Mass
<i>D</i> ₁	mm <i>a</i>	inch <i>b</i>	N dynamic <i>C</i> _r	lbf static <i>C</i> _{0r}	<i>f</i> ₀	kg lb
38.1 1.500	1.98 0.078	1.5 0.059	9 600 2 160	4 600 1 030	12.8	0.12 0.24
38.1 1.500	1.98 0.078	1.5 0.059	9 600 2 160	4 600 1 030	12.8	0.11 0.23 0.22
38.1 1.500	1.98 0.078	1.5 0.059	9 600 2 160	4 600 1 030	12.8	0.10 0.20
44.6 1.756	2.38 0.094	1.5 0.059	12 800 2 890	6 650 1 500	13.2	0.17 0.33
49.73 1.958	2.38 0.094	1.5 0.059	14 000 3 150	7 850 1 770	13.9	0.17 0.46 0.44 0.42 0.39
59.61 2.347	3.18 0.125	2.05 0.081	19 500 4 400	11 300 2 540	13.8	0.31 0.67 0.65 0.63 0.61
68.81 2.709	3.18 0.125	2.05 0.081	25 700 5 750	15 300 3 450	13.8	0.49 1.18 1.05 0.93 0.81
76.81 3.024	3.18 0.125	2.05 0.081	29 100 6 550	17 800 4 000	14.0	0.50 1.15 1.06

Ball bearings
Set screw type

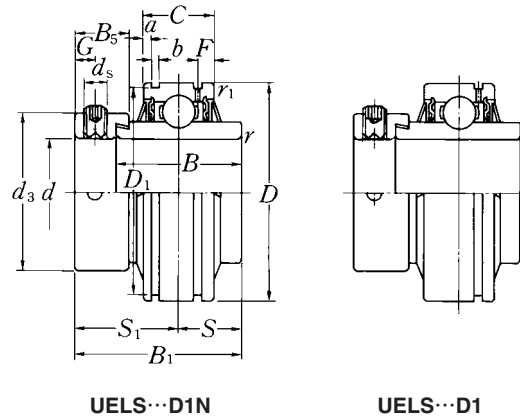


Shaft dia.	Bearing number ¹⁾	Nominal dimensions										
		<i>d</i>	<i>D</i>	<i>B</i>	<i>C</i>	<i>r_s</i> mm min.	<i>r_{1s}</i> mm min.	inch <i>S</i>	<i>S</i> ₁	<i>G</i>	<i>d_s</i>	<i>d</i> ₄
45	ASS209N	45	85	40	19	1.5	1.5	9.5	30.5	8	M8 × 1	57.5
1⁵/₈	ASS209-110N	1.6250										
1¹¹/₁₆	ASS209-111N	1.6875	3.3465	1.5748	0.7480	0.059	0.059	0.374	1.201	0.315	⁵ / ₁₆ -24UNF	2.264
1³/₄	ASS209-112N	1.7500										
50	ASS210N	50	90	42	20	1.5	1.5	10	32	9	M8 × 1	62.4
1¹³/₁₆	ASS210-113N	1.8125										
1⁷/₈	ASS210-114N	1.8750	3.5433	1.6535	0.7874	0.059	0.059	0.394	1.260	0.354	⁵ / ₁₆ -24UNF	2.457
1¹⁵/₁₆	ASS210-115N	1.9375										
2	ASS210-200N	2.0000										

Remarks: 1) If relubricatable type is needed, please order with suffix "D1".
2) For inch series bearings, the *f₀* factor for calculating equivalent radial load is the same as the metric series.

Nominal dimensions			Basic load ratings		Factor ²⁾	Mass
D_1	mm a	inch b	N dynamic C_r	lbf static C_{or}	f_0	kg lb
81.81	3.18	2.05	32 500	20 400	14.1	0.56
3.221	0.125	0.081	7 350	4 600		1.41
						1.34
86.79	3.18	2.85	35 000	23 200	14.4	1.26
3.417	0.125	0.112	7 900	5 200		0.67
						1.70
						1.61
						1.52
						1.43

Ball bearings
Eccentric locking collar type

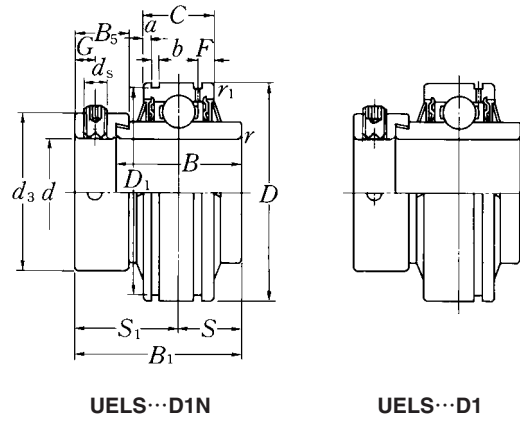


Shaft dia. mm inch	Bearing number ¹⁾	Nominal dimensions									
		d	D	B ₁	B	C	r _s min.	r _{1s} min.	S	S ₁	G
20 3/4	UELS204LD1NW3	20	47	43.7	34.2	17	1	0.6	17.1	26.6	4.8
	UELS204-012LD1NW3	0.7500	1.8504	1.720	1.3465	0.6693	0.039	0.024	0.673	1.047	0.189
25 13/16 7/8 15/16 1	UELS205LD1NW3	25	52	44.4	34.9	17	1	0.6	17.45	26.9	4.8
	UELS205-013LD1NW3	0.8125									
	UELS205-014LD1NW3	0.8750	2.0472	1.748	1.3740	0.6693	0.039	0.024	0.687	1.059	0.189
	UELS205-015LD1NW3	0.9375									
30 1 1/16 1 1/8 1 3/16 1 1/4	UELS206LD1NW3	30	62	48.4	36.5	19	1	1	18.25	30.1	6
	UELS206-101LD1NW3	1.0625									
	UELS206-102LD1NW3	1.1250	2.4409	1.906	1.4370	0.7480	0.039	0.039	0.719	1.185	0.236
	UELS206-103LD1NW3	1.1875									
35 1 1/4 1 5/16 1 3/8 1 7/16	UELS207LD1NW3	35	72	51.1	37.6	20	1.5	1.5	18.8	32.3	6.8
	UELS207-104LD1NW3	1.2500									
	UELS207-105LD1NW3	1.3125	2.8346	2.012	1.4803	0.7874	0.059	0.059	0.740	1.272	0.268
	UELS207-106LD1NW3	1.3750									
40 1 1/2 1 9/16	UELS208LD1NW3	40	80	56.3	42.8	21	1.5	1.5	21.4	34.9	6.8
	UELS208-108LD1NW3	1.5000	3.1496	2.217	1.6850	0.8268	0.059	0.059	0.843	1.374	0.268
	UELS208-109LD1NW3	1.5625									
45 1 5/8 1 11/16 1 3/4	UELS209LD1NW3	45	85	56.3	42.8	22	1.5	1.5	21.4	34.9	6.8
	UELS209-110LD1NW3	1.6250									
	UELS209-111LD1NW3	1.6875	3.3465	2.217	1.6850	0.8661	0.059	0.059	0.843	1.374	0.268
50 1 13/16 1 7/8 1 15/16 2	UELS210LD1NW3	50	90	62.7	49.2	24	1.5	1.5	24.6	38.1	6.8
	UELS210-113LD1NW3	1.8125									
	UELS210-114LD1NW3	1.8750	3.5433	2.469	1.9370	0.9449	0.059	0.059	0.969	1.500	0.268
	UELS210-115LD1NW3	1.9375									
2	UELS210-200LD1NW3	2.0000									

Remarks: 1) These numbers indicate relubricatable type. If maintenance free type is needed, please order without suffix "D1".
2) For inch series bearings, the f_0 factor for calculating equivalent radial load is the same as the metric series.

Nominal dimensions							Basic load ratings		Factor ²⁾	Mass
<i>d_s</i>	<i>d₃</i>	mm <i>B_s</i>	inch <i>D₁</i>	<i>a</i>	<i>b</i>	<i>F</i>	N dynamic <i>C_r</i>	lbf static <i>C_{or}</i>	<i>f₀</i>	kg lb
M6 × 0.75 ¼-28UNF	33 1.299	13.5 0.531	44.6 1.756	3.1 0.122	1.5 0.059	4 0.157	12 800 2 890	6 650 1 500	13.2	0.23 0.45
M6 × 0.75 ¼-28UNF	38 1.496	13.5 0.531	49.73 1.958	3.2 0.126	1.5 0.059	4.1 0.161	14 000 3 150	7 850 1 770	13.9	0.27 0.61 0.58 0.55 0.51
M8 × 1 ⅝-24UNF	44.5 1.752	15.9 0.626	59.61 2.347	3.2 0.126	2.05 0.081	4.2 0.165	19 500 4 400	11 300 2 540	13.8	0.41 0.94 0.89 0.84 0.80
M10 × 1.25 ⅜-24UNF	55.5 2.185	17.5 0.689	68.81 2.709	3.3 0.130	2.05 0.081	5 0.197	25 700 5 750	15 300 3 450	13.8	0.60 1.45 1.40 1.35 1.28
M10 × 1.25 ⅜-24UNF	60 2.362	18.3 0.720	76.81 3.024	3.4 0.134	2.05 0.081	5 0.197	29 100 6 550	17 800 4 000	14.0	0.79 1.90 1.82
M10 × 1.25 ⅜-24UNF	63.5 2.500	18.3 0.720	81.81 3.221	3.5 0.138	2.05 0.081	5.1 0.201	32 500 7 350	20 400 4 600	14.1	0.85 2.05 1.97 1.88
M10 × 1.25 ⅜-24UNF	69.5 2.736	18.3 0.720	86.79 3.417	3.7 0.146	2.85 0.112	5.6 0.220	35 000 7 900	23 200 5 200	14.4	0.98 2.46 2.36 2.25 2.09

Ball bearings
Eccentric locking collar type

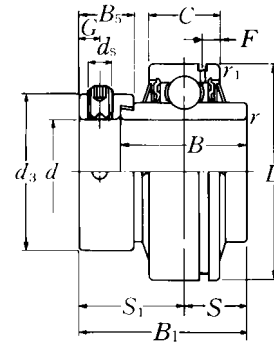


Shaft dia. mm inch	Bearing number ¹⁾	Nominal dimensions									
		<i>d</i>	<i>D</i>	<i>B</i> ₁	<i>B</i>	<i>C</i>	<i>r</i> _s min.	<i>r</i> _{1s} min.	<i>S</i>	<i>S</i> ₁	<i>G</i>
55	UELS211LD1NW3	55	100	71.4	55.5	25	2	2	27.75	43.6	8
2	UELS211-200LD1NW3	2.0000									
2¹/₁₆	UELS211-201LD1NW3	2.0625	3.9370	2.811	2.1850	0.9843	0.079	0.079	1.093	1.717	0.315
2¹/₈	UELS211-202LD1NW3	2.1250									
2³/₁₆	UELS211-203LD1NW3	2.1875									
60	UELS212LD1NW3	60	110	77.8	61.9	27	2	2	30.95	46.8	8
2¹/₄	UELS212-204LD1NW3	2.2500									
2⁵/₁₆	UELS212-205LD1NW3	2.3125	4.3307	3.063	2.4370	1.0630	0.079	0.079	1.219	1.843	0.315
2³/₈	UELS212-206LD1NW3	2.3750									
2⁷/₁₆	UELS212-207LD1NW3	2.4375									

Remarks: 1) These numbers indicate relubricatable type. If maintenance free type is needed, please order without suffix "D1".
2) For inch series bearings, the *f*₀ factor for calculating equivalent radial load is the same as the metric series.

Nominal dimensions							Basic load ratings		Factor ²⁾	Mass
<i>d_s</i>	<i>d₃</i>	mm <i>B_s</i>	inch <i>D₁</i>	<i>a</i>	<i>b</i>	<i>F</i>	N dynamic <i>C_r</i>	lbf static <i>C_{or}</i>	<i>f₀</i>	kg lb
M10 × 1.25	76	20.7	96.80	4.4	2.85	5.9	43 500	29 200	14.3	1.32 3.28
3/8-24UNF	2.992	0.815	3.811	0.173	0.112	0.232	9 750	6 550		3.12 3.02 2.90
M10 × 1.25	84	22.3	106.81	4.4	2.85	6	52 500	36 000	14.3	1.93 4.50
3/8-24UNF	3.307	0.878	4.205	0.173	0.112	0.236	11 800	8 150		4.34 4.17 4.00

Ball bearings
Eccentric locking collar type

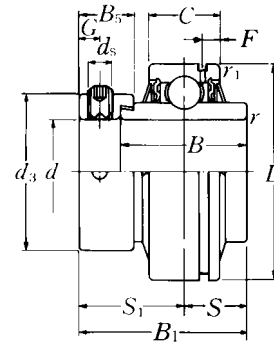


Shaft dia.	Bearing number ¹⁾	Nominal dimensions										
		<i>d</i>	<i>D</i>	<i>B</i> ₁	<i>B</i>	<i>C</i>	<i>r</i> _s mm	<i>r</i> _{1s} inch	<i>S</i>	<i>S</i> ₁	<i>G</i>	<i>ds</i>
25	UELS305D1W3	25	62	46.8	34.9	20	1.5	0.6	16.7	30.1	6	M8 × 1
¹³ / ₁₆	UELS305-013D1W3	0.8125										
⁷ / ₈	UELS305-014D1W3	0.8750	2.4409	1.843	1.3740	0.7874	0.059	0.024	0.657	1.185	0.236	⁵ / ₁₆ -24UNF
¹⁵ / ₁₆	UELS305-015D1W3	0.9375										
1	UELS305-100D1W3	1.0000										
30	UELS306D1W3	30	72	50	36.5	23	1.5	1	17.5	32.5	6.7	M8 × 1
¹ / ₁₆	UELS306-101D1W3	1.0625										
¹ / ₈	UELS306-102D1W3	1.1250	2.8346	1.969	1.4370	0.9055	0.059	0.039	0.689	1.280	0.264	⁵ / ₁₆ -24UNF
¹ / ₁₆	UELS306-103D1W3	1.1875										
35	UELS307D1W3	35	80	51.6	38.1	25	2	1	18.3	33.3	6.7	M8 × 1
¹ / ₄	UELS307-104D1W3	1.2500										
⁵ / ₁₆	UELS307-105D1W3	1.3125	3.1496	2.031	1.5000	0.9843	0.079	0.039	0.720	1.311	0.264	⁵ / ₁₆ -24UNF
³ / ₈	UELS307-106D1W3	1.3750										
¹ / ₁₆	UELS307-107D1W3	1.4375										
40	UELS308D1W3	40	90	57.1	41.3	27	2	1	19.8	37.3	8	M10 × 1.25
¹ / ₂	UELS308-108D1W3	1.5000	3.5433	2.248	1.6260	1.0630	0.079	0.039	0.780	1.469	0.315	³ / ₈ -24UNF
¹ / ₁₆	UELS308-109D1W3	1.5625										
45	UELS309D1W3	45	100	58.7	42.9	29	2	1	19.8	38.9	8	M10 × 1.25
⁵ / ₈	UELS309-110D1W3	1.6250										
¹¹ / ₁₆	UELS309-111D1W3	1.6875	3.9370	2.311	1.6890	1.1417	0.079	0.039	0.780	1.531	0.315	³ / ₈ -24UNF
³ / ₄	UELS309-112D1W3	1.7500										
50	UELS310D1W3	50	110	66.6	49.2	32	2.5	1.5	24.6	42	8.7	M10 × 1.25
¹³ / ₁₆	UELS310-113D1W3	1.8125										
¹ / ₈	UELS310-114D1W3	1.8750	4.3307	2.622	1.9370	1.2598	0.098	0.059	0.969	1.654	0.343	³ / ₈ -24UNF
¹⁵ / ₁₆	UELS310-115D1W3	1.9375										
55	UELS311D1W3	55	120	73	55.6	34	2.5	1.5	27.8	45.2	8.7	M10 × 1.25
2	UELS311-200D1W3	2.0000										
² / ₁₆	UELS311-201D1W3	2.0625	4.7244	2.874	2.1890	1.3386	0.098	0.059	1.094	1.780	0.343	³ / ₈ -24UNF
² / ₈	UELS311-202D1W3	2.1250										
² / ₁₆	UELS311-203D1W3	2.1875										

Remarks: 1) These numbers indicate relubricatable type. If maintenance free type is needed, please order without suffix "D1".
2) For inch series bearings, the *f*₀ factor for calculating equivalent radial load is the same as the metric series.

Nominal dimensions			Basic load ratings		Factor ²⁾	Mass
<i>d</i> ₃	mm <i>B</i> _s	inch <i>F</i>	N dynamic <i>C</i> _r	lbf static <i>C</i> _{or}	<i>f</i> ₀	kg lb
42.8	15.9	4.3	21 200	10 900	12.6	0.45
1.685	0.626	0.169	4 750	2 460		1.13
						1.09
						1.05
						1.00
50	17.5	5.1	26 700	15 000	13.3	0.71
1.969	0.689	0.201	6 000	3 400		1.62
						1.56
						1.50
55	17.5	5.3	33 500	19 100	13.1	0.83
2.165	0.689	0.209	7 500	4 300		1.99
						1.91
						1.84
						1.76
63.5	20.6	5.6	40 500	24 000	13.2	1.12
2.500	0.811	0.220	9 150	5 400		2.67
						2.58
70	20.6	5.8	53 000	32 000	13.1	1.50
2.756	0.811	0.228	11 900	7 200		3.26
						3.37
						3.26
76.2	22.2	6.3	62 000	38 500	13.2	1.93
3.000	0.874	0.248	13 900	8 600		4.55
						4.44
						4.30
83	22.2	6.5	71 500	45 000	13.2	2.42
						5.76
3.268	0.874	0.256	16 100	10 100		5.57
						5.43
						5.26

Ball bearings
Eccentric locking collar type

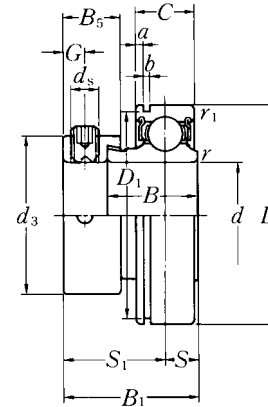


Shaft dia.	Bearing number ¹⁾	Nominal dimensions										
		<i>d</i>	<i>D</i>	<i>B</i> ₁	<i>B</i>	<i>C</i>	<i>r</i> _s mm	<i>r</i> _{1s} inch	<i>S</i>	<i>S</i> ₁	<i>G</i>	<i>ds</i>
60	UELS312D1W3	60	130	79.4	61.9	36	2.5	1.5	30.95	48.45	8.7	M10 × 1.25
2¼	UELS312-204D1W3	2.2500										
2⅝	UELS312-205D1W3	2.3125	5.1181	3.126	2.4370	1.4173	0.098	0.059	1.219	1.907	0.343	⅜-24UNF
2⅜	UELS312-206D1W3	2.3750										
2⅞	UELS312-207D1W3	2.4375										
65	UELS313D1W3	65	140	85.7	65.1	39	2.5	2	32.55	53.15	10.3	M12 × 1.5
2½	UELS313-208D1W3	2.5000	5.5118	3.374	2.5630	1.5354	0.098	0.079	1.281	2.093	0.406	½-20UNF
2⅞	UELS313-209D1W3	2.5625										
70	UELS314D1W3	70	150	92.1	68.3	41	2.5	2	34.15	57.95	10.3	M12 × 1.5
2⅝	UELS314-210D1W3	2.6250										
2⅞	UELS314-211D1W3	2.6875	5.9055	3.626	2.6890	1.6142	0.098	0.079	1.344	2.281	0.406	½-20UNF
2¾	UELS314-212D1W3	2.7500										
75	UELS315D1W3	75	160	100	74.6	43	2.5	2	37.3	62.7	12.7	M16 × 1.5
2⅞	UELS315-213D1W3	2.8125										
2⅞	UELS315-214D1W3	2.8750	6.2992	3.937	2.9370	1.6929	0.098	0.079	1.469	2.469	0.500	⅝-18UNF
2⅞	UELS315-215D1W3	2.9375										
3	UELS315-300D1W3	3.0000										
80	UELS316D1W3	80	170	106.4	81	45	2.5	2	40.5	65.9	12.7	M16 × 1.5
3⅞	UELS316-301D1W3	3.0625										
3⅞	UELS316-302D1W3	3.1250	6.6929	4.189	3.1890	1.7717	0.098	0.079	1.594	2.594	0.500	⅝-18UNF
3⅞	UELS316-303D1W3	3.1875										
85	UELS317D1W3	85	180	109.5	84.1	47	3	2.5	42.05	67.45	12.7	M16 × 1.5
3¼	UELS317-304D1W3	3.2500										
3⅞	UELS317-305D1W3	3.3125	7.0866	4.311	3.3110	1.8504	0.118	0.098	1.656	2.656	0.500	⅝-18UNF
3⅞	UELS317-307D1W3	3.4375										
90	UELS318D1W3	90	190	115.9	87.3	49	3	2.5	43.65	72.25	14.3	M20 × 1.5
3⅞	UELS318-307D1W3	3.4375	7.4803	4.563	3.4370	1.9291	0.118	0.098	1.719	2.844	0.563	¾-16UNF
3½	UELS318-308D1W3	3.5000										

Remarks: 1) These numbers indicate relubricatable type. If maintenance free type is needed, please order without suffix "D1".
2) For inch series bearings, the *f*₀ factor for calculating equivalent radial load is the same as the metric series.

Nominal dimensions			Basic load ratings		Factor ²⁾	Mass
<i>d</i> ₃	mm <i>B</i> ₃	inch <i>F</i>	N dynamic <i>C</i> _r	lbf static <i>C</i> _{0r}	<i>f</i> ₀	kg lb
89	23.9	6.7	82 000	52 000	13.2	3.04
3.504	0.941	0.264	18 400	11 700		6.86
						6.69
						6.40
97	27	7.5	92 500	60 000	13.2	3.79
3.819	1.063	0.295	20 800	13 400		8.76
						8.55
102	30.2	7.5	104 000	68 000	13.2	4.54
4.016	1.189	0.295	23 400	15 300		10.7
						10.5
						10.2
113	31.8	7.7	113 000	77 000	13.2	5.50
4.449	1.252	0.303	25 500	17 400		13.5
						13.2
						13.0
						12.9
119	31.8	7.8	123 000	86 500	13.3	6.89
4.685	1.252	0.307	27 600	19 500		15.3
						15.0
						15.3
127	31.8	8.2	133 000	97 000	13.3	8.21
5.000	1.252	0.323	29 800	21 800		18.2
						17.9
						17.2
133	36.5	8.5	143 000	107 000	13.3	9.34
5.236	1.437	0.335	32 000	24 100		21.2
						20.7

Ball bearings
Eccentric locking collar type

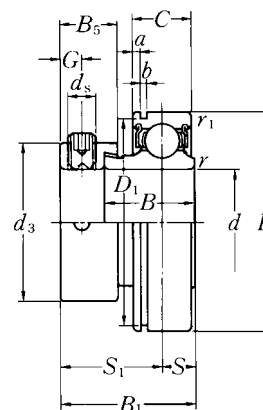


Shaft dia. mm inch	Bearing number ¹⁾	Nominal dimensions										
		d	D	B ₁	B	C	r _s mm inch	r _{1s} mm inch	S	S ₁	G	ds
12 1/2	AELS201NW3	12	40	28.6	19	12	0.6	0.6	6.5	22.1	4.8	M6 × 0.75
	AELS201-008NW3	0.5000	1.5748	1.126	0.7480	0.4724	0.024	0.024	0.256	0.870	0.189	1/4-28UNF
15 9/16 5/8	AELS202NW3	15	40	28.6	19	12	0.6	0.6	6.5	22.1	4.8	M6 × 0.75
	AELS202-009NW3	0.5625	1.5748	1.126	0.7480	0.4724	0.024	0.024	0.256	0.870	0.189	1/4-28UNF
	AELS202-010NW3	0.6250										
17 11/16	AELS203NW3	17	40	28.6	19	12	0.6	0.6	6.5	22.1	4.8	M6 × 0.75
	AELS203-011NW3	0.6875	1.5748	1.126	0.7480	0.4724	0.024	0.024	0.256	0.870	0.189	1/4-28UNF
20 3/4	AELS204NW3	20	47	31	21.5	14	1	0.6	7.5	23.5	4.8	M6 × 0.75
	AELS204-012NW3	0.7500	1.8504	1.220	0.8465	0.5512	0.039	0.024	0.295	0.925	0.189	1/4-28UNF
25 13/16 7/8 15/16 1	AELS205NW3	25	52	31	21.5	15	1	0.6	7.5	23.5	4.8	M6 × 0.75
	AELS205-013NW3	0.8125										
	AELS205-014NW3	0.8750	2.0472	1.220	0.8465	0.5906	0.039	0.024	0.295	0.925	0.189	1/4-28UNF
	AELS205-015NW3	0.9375										
30 1 1/16 1 1/8 1 3/16 1 1/4	AELS206NW3	30	62	35.7	23.8	16	1	0.6	9	26.7	6	M8 × 1
	AELS206-101NW3	1.0625										
	AELS206-102NW3	1.1250	2.4409	1.406	0.9370	0.6299	0.039	0.024	0.354	1.051	0.236	5/16-24UNF
	AELS206-103NW3	1.1875										
35 1 1/4 1 5/16 1 7/8 1 7/16	AELS207NW3	35	72	38.9	25.4	17	1.5	0.6	9.5	29.4	6.8	M10 × 1.25
	AELS207-104NW3	1.2500										
	AELS207-105NW3	1.3125	2.8346	1.531	1.0000	0.6693	0.059	0.024	0.374	1.157	0.268	3/8-24UNF
	AELS207-106NW3	1.3750										
40 1 1/2 1 9/16	AELS208NW3	40	80	43.7	30.2	18	1.5	0.6	11	32.7	6.8	M10 × 1.25
	AELS208-108NW3	1.5000	3.1496	1.720	1.1890	0.7087	0.059	0.024	0.433	1.287	0.268	3/8-24UNF
	AELS208-109NW3	1.5625										
45 1 5/8 1 11/16 1 3/4	AELS209NW3	45	85	43.7	30.2	19	1.5	1.5	11	32.7	6.8	M10 × 1.25
	AELS209-110NW3	1.6250										
	AELS209-111NW3	1.6875	3.3465	1.720	1.1890	0.7480	0.059	0.059	0.433	1.287	0.268	3/8-24UNF
	AELS209-112NW3	1.7500										

Remarks: 1) If relubricatable type is needed, please order with suffix "D1".
2) For inch series bearings, the f_0 factor for calculating equivalent radial load is the same as the metric series.

Nominal dimensions					Basic load ratings		Factor ²⁾	Mass
<i>d</i> ₃	mm <i>D</i> ₁	inch <i>a</i>	<i>b</i>	<i>B</i> ₅	N dynamic <i>C</i> _r	lbf static <i>C</i> _{0r}	<i>f</i> ₀	kg lb
29 1.142	38.1 1.500	1.98 0.078	1.5 0.059	13.6 0.535	9 600 2 160	4 600 1 030	12.8	0.12 0.26
29 1.142	38.1 1.500	1.98 0.078	1.5 0.059	13.6 0.535	9 600 2 160	4 600 1 030	12.8	0.11 0.26 0.24
29 1.142	38.1 1.500	1.98 0.078	1.5 0.059	13.6 0.535	9 600 2 160	4 600 1 030	12.8	0.10 0.23
33 1.299	44.6 1.756	2.38 0.094	1.5 0.059	13.5 0.531	12 800 2 890	6 650 1 500	13.2	0.17 0.35
38 1.496	49.73 1.958	2.38 0.094	1.5 0.059	13.5 0.531	14 000 3 150	7 850 1 770	13.9	0.20 0.51 0.48 0.45 0.42
44.5 1.752	59.61 2.347	3.18 0.125	2.05 0.081	15.9 0.626	19 500 4 400	11 300 2 540	13.8	0.31 0.74 0.73 0.66 0.61
55.5 2.185	68.81 2.709	3.18 0.125	2.05 0.081	17.5 0.689	25 700 5 750	15 300 3 450	13.8	0.49 1.15 1.10 1.04 0.98
60 2.362	76.81 3.024	3.18 0.125	2.05 0.081	18.3 0.720	29 100 6 550	17 800 4 000	14.0	0.66 1.41 1.34
63.5 2.500	81.81 3.221	3.18 0.125	2.05 0.081	18.3 0.720	32 500 7 350	20 400 4 600	14.1	0.73 1.81 1.72 1.63

Ball bearings
Eccentric locking collar type

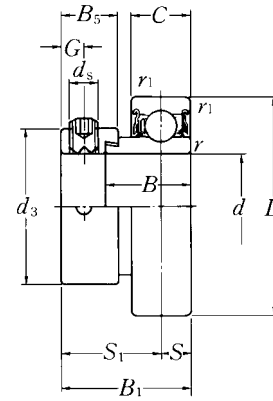


Shaft dia.	Bearing number ¹⁾	Nominal dimensions											
		<i>d</i>	<i>D</i>	<i>B</i> ₁	<i>B</i>	<i>C</i>	<i>r</i> _s min.	<i>r</i> _{1s} min.	<i>S</i>	<i>S</i> ₁	<i>G</i>	<i>d</i> _s	
mm inch		mm	inch	mm	inch	mm	inch	mm	inch	mm	inch	mm	inch
50	AELS210NW3	50	90	43.7	30.2	20	1.5	1.5	11	32.7	6.8	M10 × 1.25	
1¹³/₁₆	AELS210-113NW3	1.8125											
1⁷/₈	AELS210-114NW3	1.8750	3.5433	1.720	1.1890	0.7874	0.059	0.059	0.433	1.287	0.268	3/8-24UNF	
1¹⁵/₁₆	AELS210-115NW3	1.9375											
2	AELS210-200NW3	2.0000											
55	AELS211NW3	55	100	48.4	32.5	21	2	1.5	12	36.4	8	M10 × 1.25	
2	AELS211-200NW3	2.0000											
2¹/₁₆	AELS211-201NW3	2.0625	3.9370	1.906	1.2795	0.8268	0.079	0.059	0.472	1.433	0.315	3/8-24UNF	
2¹/₈	AELS211-202NW3	2.1250											
2³/₁₆	AELS211-203NW3	2.1875											
60	AELS212NW3	60	110	53.1	37.2	22	2	1.5	13.5	39.6	8	M10 × 1.25	
2¹/₄	AELS212-204NW3	2.2500											
2⁵/₁₆	AELS212-205NW3	2.3125	4.3307	2.091	1.4646	0.8661	0.079	0.059	0.531	1.559	0.315	3/8-24UNF	
2³/₈	AELS212-206NW3	2.3750											
2⁷/₁₆	AELS212-207NW3	2.4375											

Remarks: 1) If relubricatable type is needed, please order with suffix "D1".
2) For inch series bearings, the *f*₀ factor for calculating equivalent radial load is the same as the metric series.

Nominal dimensions					Basic load ratings		Factor ²⁾	Mass
<i>d</i> ₃	<i>D</i> ₁	<i>a</i>	<i>b</i>	<i>B</i> ₅	N dynamic <i>C</i> _r	lbf static <i>C</i> _{or}	<i>f</i> ₀	kg lb
69.5	86.79	3.18	2.85	18.3	35 000	23 200	14.4	0.74 1.85
2.736	3.417	0.125	0.112	0.720	7 900	5 200		1.76 1.68 1.59
76	96.8	3.18	2.85	20.7	43 500	29 200	14.3	1.00 2.49
2.992	3.811	0.125	0.112	0.815	9 750	6 550		2.38 2.27 2.16
84	106.81	3.18	2.85	22.3	52 500	36 000	14.3	1.33 3.17
3.307	4.205	0.125	0.112	0.878	11 800	8 150		3.04 2.91 2.78

Ball bearings
Eccentric locking collar type



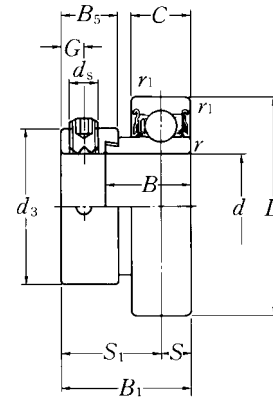
Shaft dia. mm inch	Bearing number ¹⁾	Nominal dimensions										
		d	D	B ₁	B	C	r _s mm min.	r _{1s} inch min.	S	S ₁	G	ds
12 1/2	JELS201W3	12	40	28.6	19	13	0.6	0.4	6.5	22.1	4.8	M6 × 0.75
	JELS201-008W3	0.5000	1.5748	1.126	0.7480	0.5118	0.024	0.016	0.256	0.870	0.189	1/4-28UNF
15 9/16 5/8	JELS202W3	15	40	28.6	19	13	0.6	0.4	6.5	22.1	4.8	M6 × 0.75
	JELS202-009W3	0.5625	1.5748	1.126	0.7480	0.5118	0.024	0.016	0.256	0.870	0.189	1/4-28UNF
	JELS202-010W3	0.6250										
17 11/16	JELS203W3	17	40	28.6	19	13	0.6	0.4	6.5	22.1	4.8	M6 × 0.75
	JELS203-011W3	0.6875	1.5748	1.126	0.7480	0.5118	0.024	0.016	0.256	0.870	0.189	1/4-28UNF
20 3/4	JELS204W3	20	47	31	21.5	15	1	0.6	7.5	23.5	4.8	M6 × 0.75
	JELS204-012W3	0.7500	1.8504	1.220	0.8465	0.5906	0.039	0.024	0.295	0.925	0.189	1/4-28UNF
25 13/16 7/8 15/16 1	JELS205W3	25	52	31	21.5	15	1	0.6	7.5	23.5	4.8	M6 × 0.75
	JELS205-013W3	0.8125										
	JELS205-014W3	0.8750	2.0472	1.220	0.8465	0.5906	0.039	0.024	0.295	0.925	0.189	1/4-28UNF
	JELS205-015W3	0.9375										
30 1 1/16 1 1/8 1 3/16 1 1/4	JELS206W3	30	62	35.7	23.8	18	1	1	9	26.7	6	M8 × 1
	JELS206-101W3	1.0625										
	JELS206-102W3	1.1250	2.4409	1.406	0.9370	0.7087	0.039	0.039	0.354	1.051	0.236	5/16-24UNF
	JELS206-103W3	1.1875										
35 1 1/4 1 5/16 1 3/8 1 7/16	JELS207W3	35	72	38.9	25.4	19	1.5	1.5	9.5	29.4	6.8	M10 × 1.25
	JELS207-104W3	1.2500										
	JELS207-105W3	1.3125	2.8346	1.531	1.0000	0.7480	0.059	0.059	0.374	1.157	0.268	3/8-24UNF
	JELS207-106W3	1.3750										
40 1 1/2 1 9/16	JELS208W3	40	80	43.7	30.2	22	1.5	1.5	11	32.7	6.8	M10 × 1.25
	JELS208-108W3	1.5000	3.1496	1.720	1.1890	0.8661	0.059	0.059	0.433	1.287	0.268	3/8-24UNF
	JELS208-109W3	1.5625										
45 1 5/8 1 11/16 1 3/4	JELS209W3	45	85	43.7	30.2	22	1.5	1.5	11	32.7	6.8	M10 × 1.25
	JELS209-110W3	1.6250										
	JELS209-111W3	1.6875	3.3465	1.720	1.1890	0.8661	0.059	0.059	0.433	1.287	0.268	3/8-24UNF
JELS209-112W3	1.7500											

Remarks: 1) If relubricatable type is needed, please order with suffix "D1".

2) For inch series bearings, the f_0 factor for calculating equivalent radial load is the same as the metric series.

Nominal dimensions		Basic load ratings		Factor ²⁾	Mass
mm <i>d</i> ₃	inch <i>B</i> ₅	N dynamic <i>C</i> _r	lbf static <i>C</i> _{0r}	<i>f</i> ₀	kg lb
29 1.142	13.6 0.535	9 600 2 160	4 600 1 030	12.8	0.13 0.28
29 1.142	13.6 0.535	9 600 2 160	4 600 1 030	12.8	0.13 0.26 0.24
29 1.142	13.6 0.535	9 600 2 160	4 600 1 030	12.8	0.10 0.22
33 1.299	13.5 0.531	12 800 2 890	6 650 1 500	13.2	0.18 0.42
38 1.496	13.5 0.531	14 000 3 150	7 850 1 770	13.9	0.20 0.54 0.51 0.48 0.44
44.5 1.752	15.9 0.626	19 500 4 400	11 300 2 540	13.8	0.34 0.84 0.79 0.75 0.70
55.5 2.185	17.5 0.689	25 700 5 750	15 300 3 450	13.8	0.53 1.29 1.24 1.18 1.12
60 2.362	18.3 0.720	29 100 6 550	17 800 4 000	14.0	0.71 1.64 1.57
63.5 2.500	18.3 0.720	32 500 7 350	20 400 4 600	14.1	0.79 1.92 1.85 1.76

Ball bearings
Eccentric locking collar type

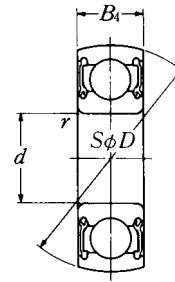


Shaft dia.	Bearing number ¹⁾	Nominal dimensions										
		<i>d</i>	<i>D</i>	<i>B</i> ₁	<i>B</i>	<i>C</i>	<i>r</i> _s min.	<i>r</i> _{1s} min.	<i>S</i>	<i>S</i> ₁	<i>G</i>	<i>d</i> _s
50	JELS210W3	50	90	43.7	30.2	22	1.5	1.5	11	32.7	6.8	M10 × 1.25
1 13/16	JELS210-113W3	1.8125										
1 7/8	JELS210-114W3	1.8750	3.5433	1.720	1.1890	0.8661	0.059	0.059	0.433	1.287	0.268	3/8-24UNF
1 15/16	JELS210-115W3	1.9375										
2	JELS210-200W3	2.0000										
55	JELS211W3	55	100	48.4	32.5	24	2	2	12	36.4	8	M10 × 1.25
2	JELS211-200W3	2.0000										
2 1/16	JELS211-201W3	2.0625	3.9370	1.906	1.2795	0.9449	0.079	0.079	0.472	1.433	0.315	3/8-24UNF
2 1/8	JELS211-202W3	2.1250										
2 3/16	JELS211-203W3	2.1875										
60	JELS212W3	60	110	53.1	37.2	27	2	2	13.5	39.6	8	M10 × 1.25
2 1/4	JELS212-204W3	2.2500										
2 5/16	JELS212-205W3	2.3125	4.3307	2.091	1.4646	1.0630	0.079	0.079	0.531	1.559	0.315	3/8-24UNF
2 3/8	JELS212-206W3	2.3750										
2 7/16	JELS212-207W3	2.4375										

Remarks: 1) If relubricatable type is needed, please order with suffix "D1".
2) For inch series bearings, the *f*₀ factor for calculating equivalent radial load is the same as the metric series.

Nominal dimensions		Basic load ratings		Factor ²⁾	Mass
mm <i>d₃</i>	inch <i>B₅</i>	N dynamic <i>C_r</i>	lbf static <i>C_{0r}</i>	<i>f₀</i>	kg lb
69.5	18.3	35 000	23 200		0.87 2.14
2.736	0.720	7 900	5 200	14.4	2.05 1.96 1.85
76	20.7	43 500	29 200		1.16 2.84
2.992	0.815	9 750	6 550	14.3	2.73 2.62 2.51
84	22.3	52 500	36 000		1.52 3.59
3.307	0.878	11 800	8 150	14.3	3.46 3.33 3.17

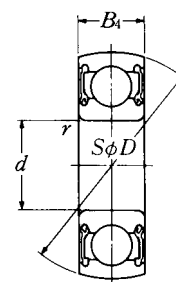
Ball bearings
Tight fit type



Shaft dia. mm	Bearing number	Nominal dimensions				Basic load ratings		Factor f_0	Mass	
		d	mm D	inch B_1	r_s min.	N dynamic C_r	lbf static C_{or}		kg	lb
10	CS200LLU	10 0.3937	30 1.1811	9 0.354	0.6 0.024	5 100 1 150	2 390 540	13.2	0.03 0.07	
12	CS201LLU	12 0.4724	32 1.2598	10 0.394	0.6 0.024	6 100 1 370	2 750 615	12.7	0.04 0.09	
15	CS202LLU	15 0.5906	35 1.3780	11 0.433	0.6 0.024	7 750 1 740	3 600 805	12.7	0.04 0.09	
17	CS203LLU	17 0.6693	40 1.5748	12 0.472	0.6 0.024	9 600 2 160	4 600 1 030	12.8	0.06 0.13	
20	CS204LLU	20 0.7874	47 1.8504	14 0.551	1 0.039	12 800 2 890	6 650 1 500	13.2	0.10 0.22	
25	CS205LLU	25 0.9843	52 2.0472	15 0.591	1 0.039	14 000 3 150	7 850 1 770	13.9	0.13 0.29	
30	CS206LLU	30 1.1811	62 2.4409	16 0.630	1 0.039	19 500 4 400	11 300 2 540	13.8	0.20 0.44	
35	CS207LLU	35 1.3780	72 2.8346	17 0.669	1.5 0.059	25 700 5 750	15 300 3 450	13.8	0.29 0.64	
40	CS208LLU	40 1.5748	80 3.1496	18 0.709	1.5 0.059	29 100 6 550	17 800 4 000	14.0	0.37 0.82	
45	CS209LLU	45 1.7717	85 3.3465	19 0.748	1.5 0.059	32 500 7 350	20 400 4 600	14.1	0.39 0.86	
50	CS210LLU	50 1.9685	90 3.5433	20 0.787	1.5 0.059	35 000 7 900	23 200 5 200	14.4	0.46 1.01	
55	CS211LLU	55 2.1654	100 3.9370	21 0.827	2 0.079	43 500 9 750	29 200 6 550	14.3	0.58 1.28	
60	CS212LLU	60 2.3622	110 4.3307	22 0.866	2 0.079	52 500 11 800	36 000 8 150	14.3	0.76 1.68	

Note: Symbols

- Δd_{mp} : Mean bore diameter deviation
- ΔB_s : Inner ring width deviation
- ΔC_s : Outer ring width deviation



Shaft dia. mm	Bearing number	Nominal dimensions				Basic load ratings		Factor f_0	Mass	
		d	mm D	inch B_i	r_s min.	N dynamic C_r	lbf static C_{or}		kg	lb
25	CS305LLU	25	62	17	1.5	21 200	10 900	12.6	0.22	
		0.9843	2.4409	0.669	0.059	4 750	2 460		0.49	
30	CS306LLU	30	72	19	1.5	26 700	15 000	13.3	0.34	
		1.1811	2.8346	0.748	0.059	6 000	3 400		0.75	
35	CS307LLU	35	80	21	2	33 500	19 100	13.1	0.44	
		1.3780	3.1496	0.827	0.079	7 500	4 300		0.97	
40	CS308LLU	40	90	23	2	40 500	24 000	13.2	0.62	
		1.5748	3.5433	0.906	0.079	9 150	5 400		1.37	
45	CS309LLU	45	100	25	2	53 000	32 000	13.1	0.79	
		1.7717	3.9370	0.984	0.079	11 900	7 200		1.74	
50	CS310LLU	50	110	27	2.5	62 000	38 500	13.2	1.06	
		1.9685	4.3307	1.063	0.098	13 900	8 600		2.34	

Note: Symbols

Δd_{mp} : Mean bore diameter deviation

ΔB_s : Inner ring width deviation

ΔC_s : Outer ring width deviation